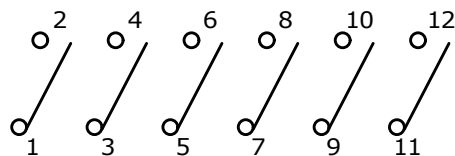
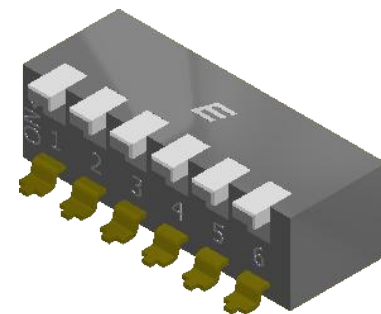
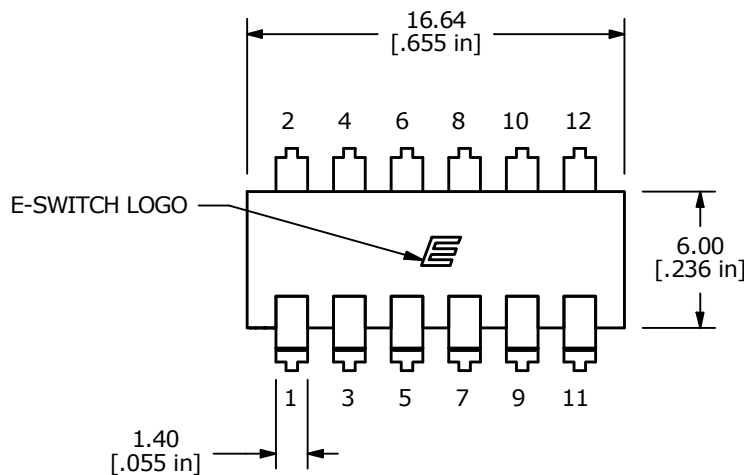


P.C.B. MOUNTING

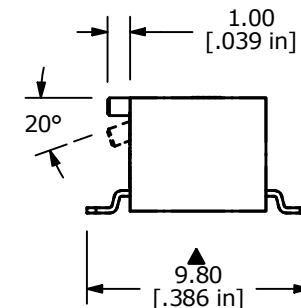
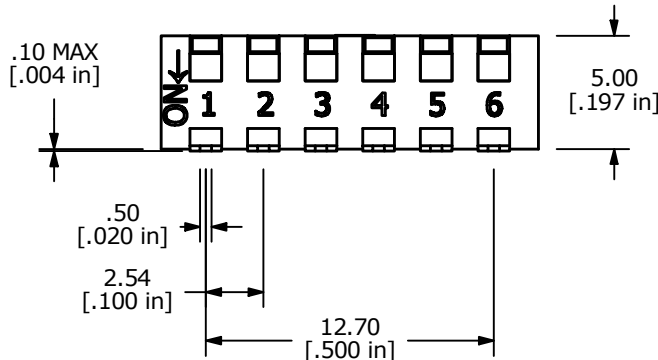


▲ CIRCUIT - 6 POSITION



NOTES:

1. ALL DIMENSIONS IN MM [INCH].
2. GENERAL TOLERANCE: X.X=±0.4
X.XX=±0.25
3. TERM. NOS. FOR REFERENCE ONLY.
4. CONTACT RATINGS: 25mA @24VDC. (SWITCH)
100mA @50VDC. (CARRY)
- ▲ 5. CONTACT MATERIAL:
CONTACTS: (MOVABLE) COPPER W/GOLD PLATE.
TERMINALS: BRASS w/GOLD PLATE.
6. INSULATION RESISTANCE; 100 MΩ MIN. @500VDC.
7. CONTACT RESISTANCE; 50 mΩ MAX INITIAL.
8. OPERATING TEMP: -20°C TO +85°C.
9. STORAGE TEMP: -40°C TO +85°C.
10. ELECTRICAL LIFE: 2000 CYCLES.
- ▲ 11. PACKAGE: TAPE AND REEL (700 PER REEL)
WITH ALL POLES IN THE "OFF" POSITION.
12. ▲ DENOTES CRITICAL PARAMETER.
13. DIELECTRIC STRENGTH: 500VAC MIN FOR 1 MINUTE.
- ▲ 14. OPERATING FORCE: 800 GRAMS MAX.



| REV | ECO NO | DESCRIPTION | DATE | BY |
|-----|------------|----------------------|----------|----|
| B | ECO-101821 | CHANGE LOGO POSITION | 04/13/23 | JS |
| | | | | |



OBJECT ID
000017132

| | | | | |
|--------------------|--------------------|-----------|----------------|----------|
| TITLE KAC06LGGR | | | | |
| SCALE 3:1 | DATE 11/20/2012 | DR EBP | DWG N802206 | REV B |