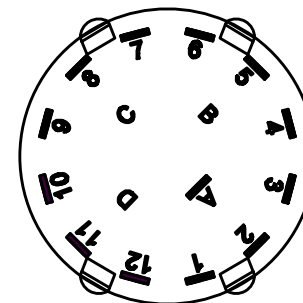
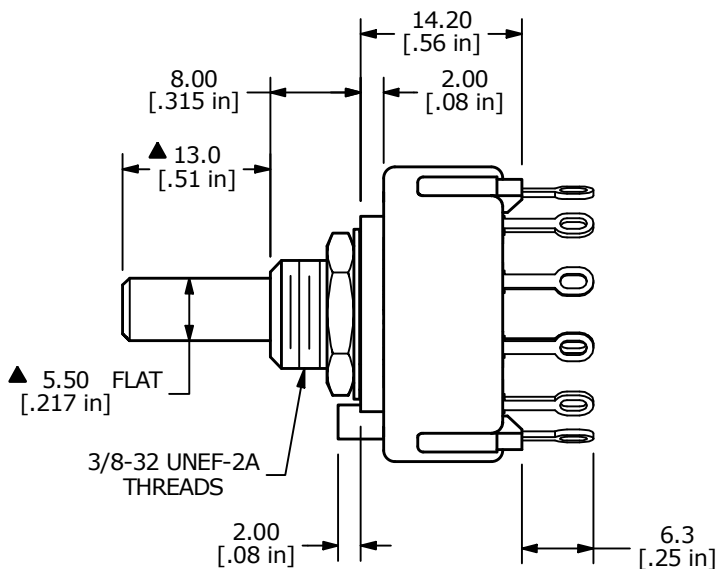
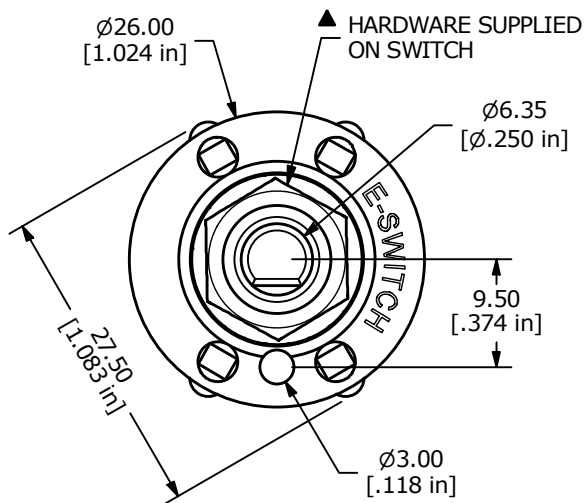


CONTACT CONFIGURATION
TIMING (BBM) NON-SHORTING



NOTE:

1. ALL DIMENSIONS IN MM[INCH].
2. GENERAL TOLERANCE: X.X = ± 0.4
X.XX = ± 0.25
3. TERM. NOS. FOR REFERENCE ONLY.
- ▲ 4. CONTACT MATERIAL: GOLD
5. CONTACT RATING: 150mA, 250VAC/DC
350mA, 110VAC/DC
6. OPERATING FORCE: 800 ± 300 g-cm
7. OPERATING TEMP: -30°C to 85°C
- ▲ 8. CIRCUIT SP: 12 POSITION 30° INDEX (NO STOPS)
9. DIELECTRIC STRENGTH: 1000V RMS MIN.@ SEA LEVEL
- ▲ 10. HARDWARE SUPPLIED ON SWITCH:
LOCKWASHER and HEX NUT
11. ▲ DENOTES CRITICAL PARAMETER.

REV	ECO NO	DESCRIPTION	DATE	BY
B	ECO-101041	update print, added No Stops note	06/09/22	MW



OBJECT ID
100121705

TITLE KC10A13.001NLF				
SCALE	DATE	DR	DWG	REV
3:2	4/6/2022	JS	G527974	B

THE INFORMATION CONTAINED IN THIS DOCUMENT IS PROPRIETARY TO E-SWITCH AND IS NOT TO BE COPIED OR TRANSFERRED