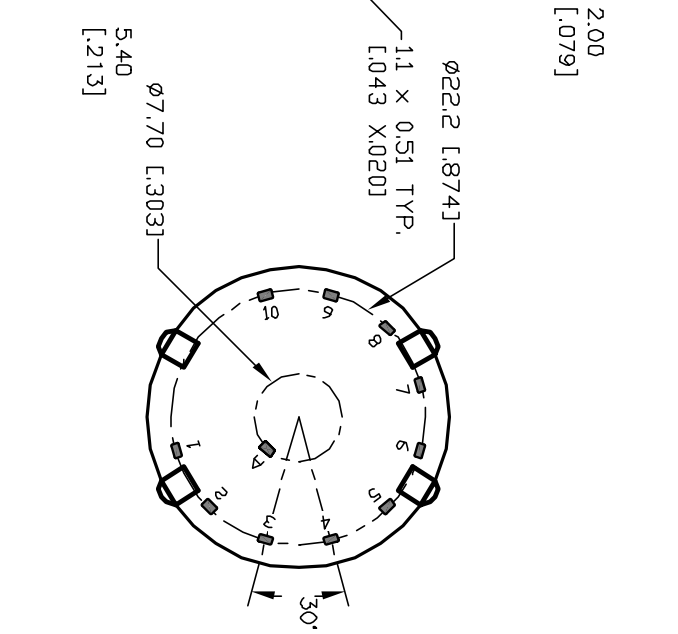
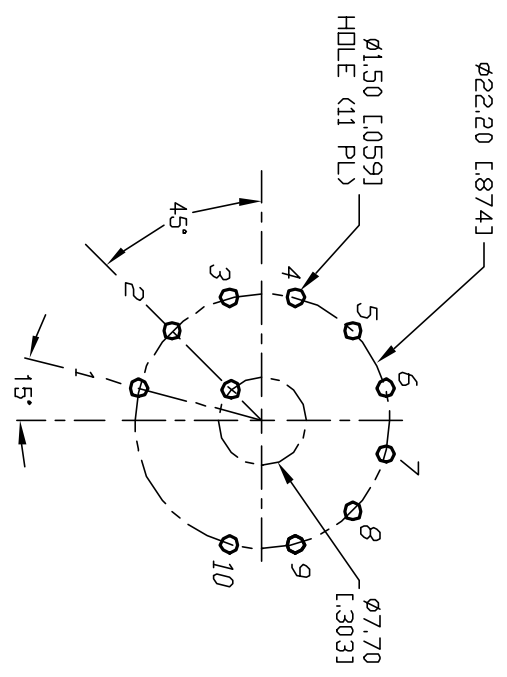
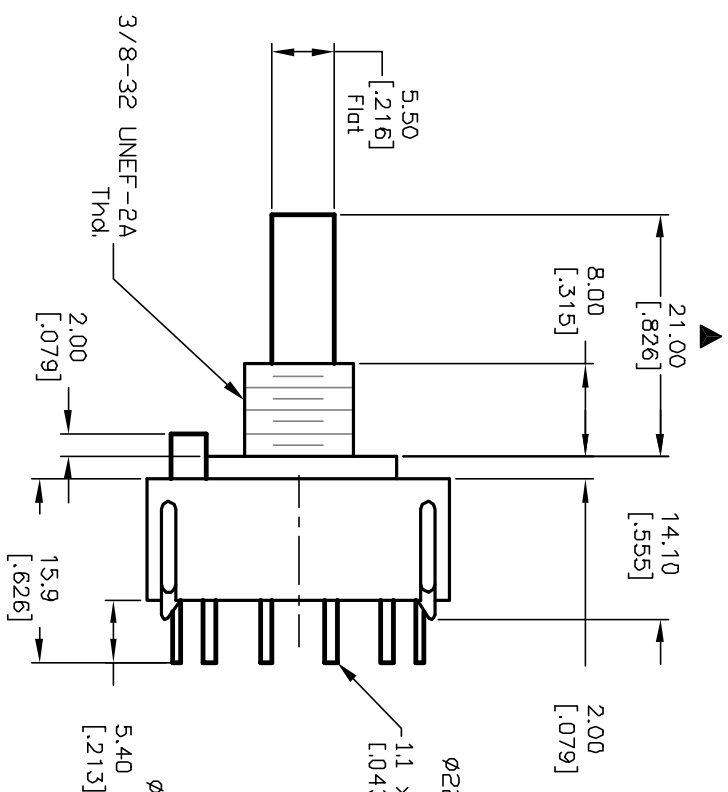
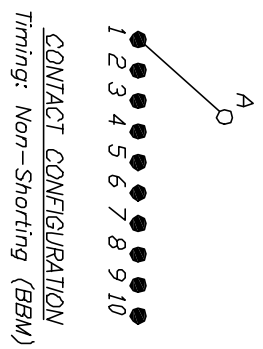
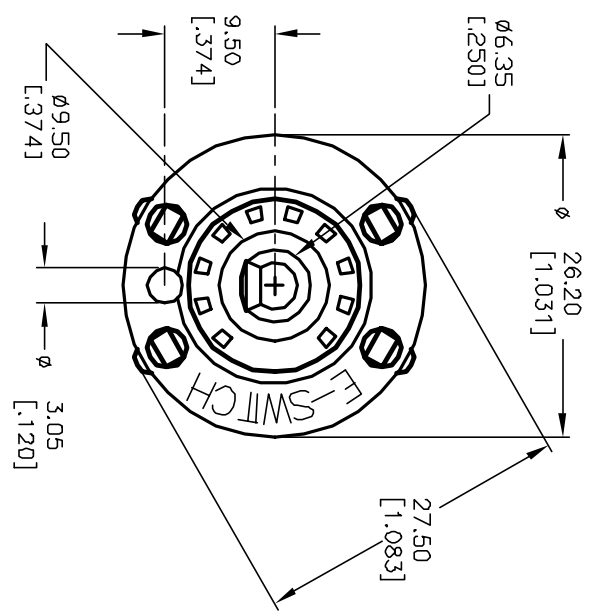


- NOTES:
1. ALL DIMENSION IN MM [INCH]
  2. GENERAL TOLERANCE: X.X=±0.4  
X.XXX=±0.25
  3. TERM. NOS. FOR REF. ONLY
  4. CONTACT RATING SWITCHING: 150mA, 250V AC/DC  
350mA, 110V AC/DC
  5. CONTACT RATING (NON-SWITCHING) 5A
  6. OPERATING FORCE: 425±100 CM/STANDARD
  7. OPERATING TEMP: -30° to 85°C
  8. CIRCUIT SP: 10 POSITIONS, 30° INDEX.
  9. DIELECTRIC STRENGTH 1000V RMS min. @ SEA LEVEL
  10. DESIGNATE MAJOR DIMENSIONS
  11. SUPPLIED LOCK NUT AND WASHER (NOT SHOWN).



REV. A		12361		RELEASED FOR PRODUCTION		3/7/01		CJB	
REV.		ECN No.		DESCRIPTION		DATE		CHKD	
TITLE: KC-50-A-(13.0mm) 01-N-P-S SCALE: 1.5:1 DATE: 8/12/02 DR: CJB DWG: G530105 REV: A									
THE INFORMATION CONTAINED IN THIS DOCUMENT IS PROPRIETARY TO E-SWITCH AND IS NOT TO BE COPIED OR TRANSFERRED									

**E-SWITCH®**