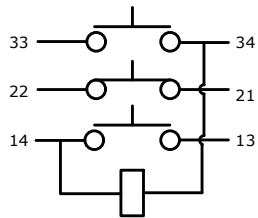


PANEL CUTOUT

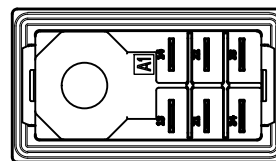
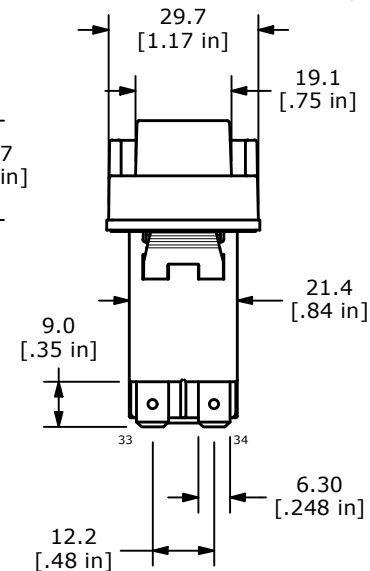
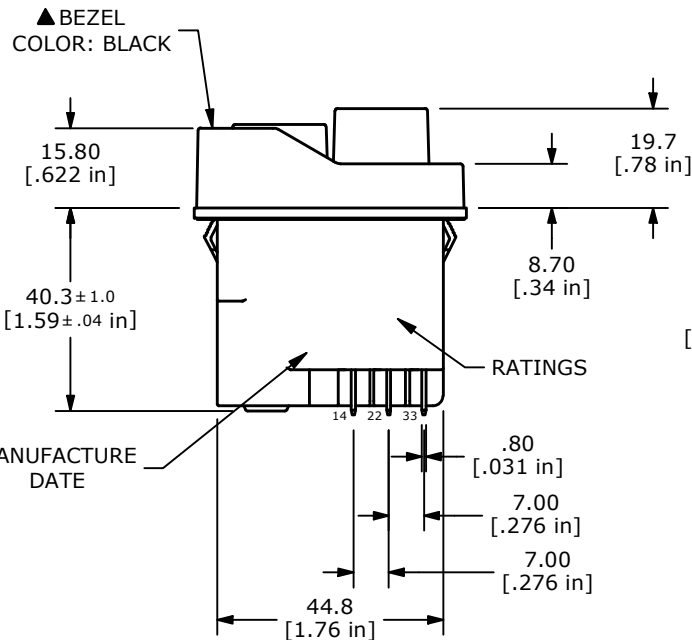
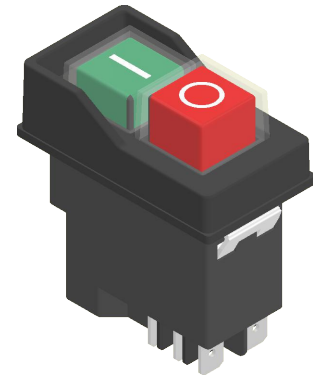
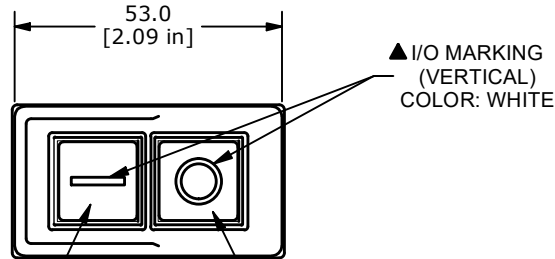
PANEL THICKNESS	(x)
1 - 1.5	46 +0.1/-0
1.5 - 2.5	46.4 +0.1/-0



CIRCUIT: 2NO + NC

NOTE:

1. DIMENSIONS IN MM [INCH]
2. GENERAL TOLERANCE: X.X = ± 0.4
X.XX = ± 0.25
3. TERMINAL NUMBERS FOR REF ONLY
4. CONTACT MATERIAL: SILVER
- ▲ 5. CONTACT RATINGS:
20(20)A @ 127VAC 1E5 T85/55 UL(UL61058)
20(20)A @ 127VAC 1E5 T85/55 TUV(EN61058)
127VAC 50/60Hz
6. CALIBRATION VOLTAGE:
USE: 100V - 120V @ 50/60Hz
RELEASE: 30V - 85V
7. ELECTRICAL LIFE 100,000 CYCLES
8. INSULATION RESISTANCE: 10MΩ MIN. @ 500VDC
9. DIELECTRIC STRENGTH: 1,500VAC FOR 1 MINUTE
10. OPERATING TEMPERATURE: 0°C TO 85°C (HOUSING)
0°C TO 55°C (ACTUATOR)
11. STORAGE TEMPERATURE: -25°C TO 85°C
12. INGRESS PROTECTION: IP55 TO PANEL
13. CONTACT RESISTANCE: 50 mΩ MAX. @ 50VAC INITIAL
14. ▲ DENOTES CRITICAL PARAMETER



REV	ECO NO	DESCRIPTION	DATE	BY
A	ECO-103281	RELEASE	03/27/25	JS



OBJECT ID
100129823

TITLE KJE32251111				
SCALE 2:3	DATE 3/6/2025	DR JS	DWG 34-KJE32251111	REV A