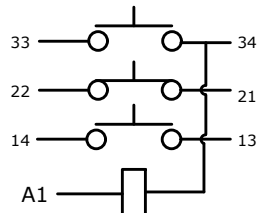


PANEL CUTOUT

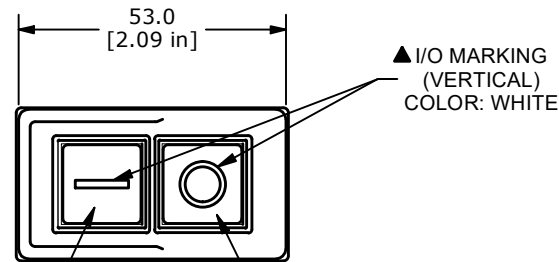
| PANEL THICKNESS | (x) |
|-----------------|--------------|
| 1 - 1.5 | 46 +0.1/-0 |
| 1.5 - 2.5 | 46.4 +0.1/-0 |



CIRCUIT: 2NO + NC
W/ REMOTE TRIP

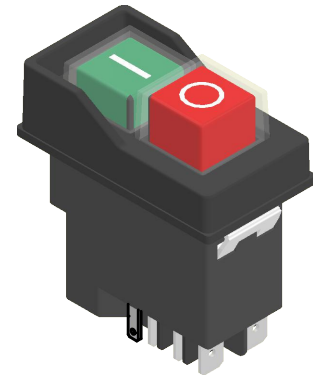
NOTE:

1. DIMENSIONS IN MM [INCH]
2. GENERAL TOLERANCE: X.X = ± 0.4
X.XX = ± 0.25
3. TERMINAL NUMBERS FOR REF ONLY
4. CONTACT MATERIAL: SILVER
- ▲ 5. CONTACT RATINGS:
20(20)A @ 127VAC 1E5 T85/55 UL(UL61058)
20(20)A @ 127VAC 1E5 T85/55 TUV(EN61058)
127VAC 50/60Hz
6. CALIBRATION VOLTAGE:
USE: 100V - 120V @ 50/60Hz
RELEASE: 30V - 85V
7. ELECTRICAL LIFE 100,000 CYCLES
8. INSULATION RESISTANCE: 10MΩ MIN. @ 500VDC
9. DIELECTRIC STRENGTH: 1,500VAC FOR 1 MINUTE
10. OPERATING TEMPERATURE: 0°C TO 85°C (HOUSING)
0°C TO 55°C (ACTUATOR)
11. STORAGE TEMPERATURE: -25°C TO 85°C
12. INGRESS PROTECTION: IP55 TO PANEL
13. CONTACT RESISTANCE: 50 mΩ MAX. @ 50VAC INITIAL
14. ▲ DENOTES CRITICAL PARAMETER

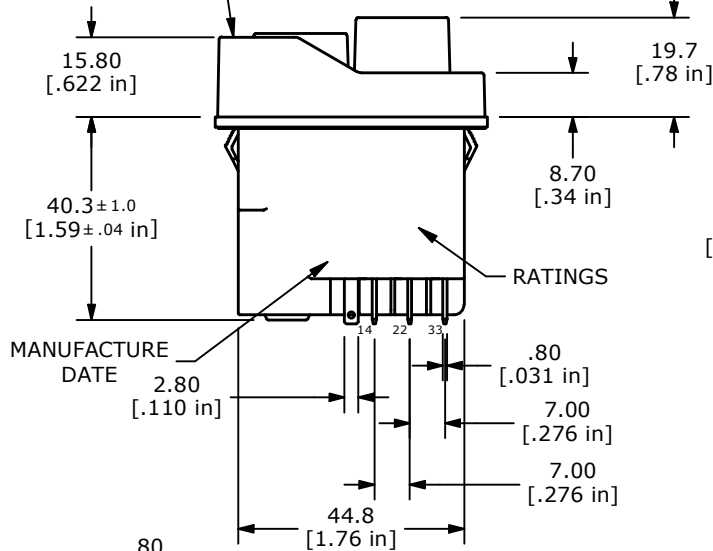


▲ ACTUATOR
COLOR: GREEN

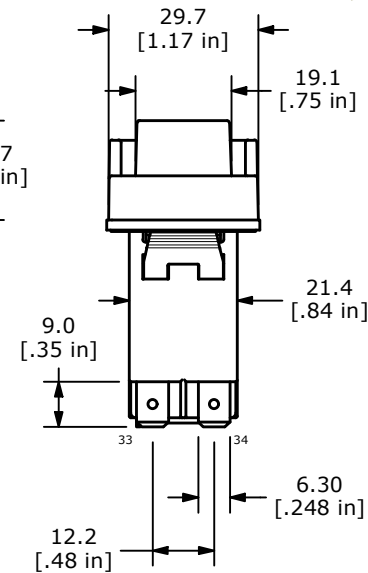
▲ ACTUATOR
COLOR: RED



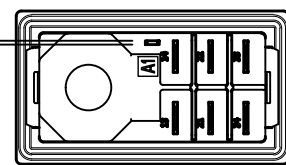
▲ BEZEL
COLOR: BLACK



MANUFACTURE
DATE



.80
[.031 in]



| REV | ECO NO | DESCRIPTION | DATE | BY |
|-----|------------|-------------|----------|----|
| A | ECO-103281 | RELEASE | 03/27/25 | JS |



OBJECT ID
100129829

| | | | | |
|-------------------|---------------|-------|--------------------|-------|
| TITLE KJE32261111 | | | | |
| SCALE 2:3 | DATE 3/6/2025 | DR JS | DWG 34-KJE32261111 | REV A |