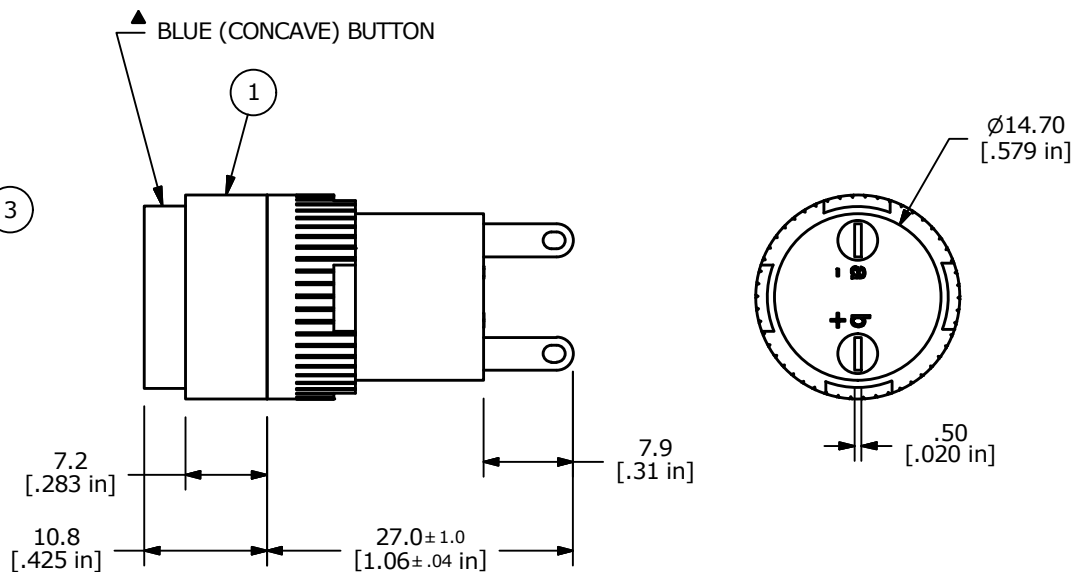
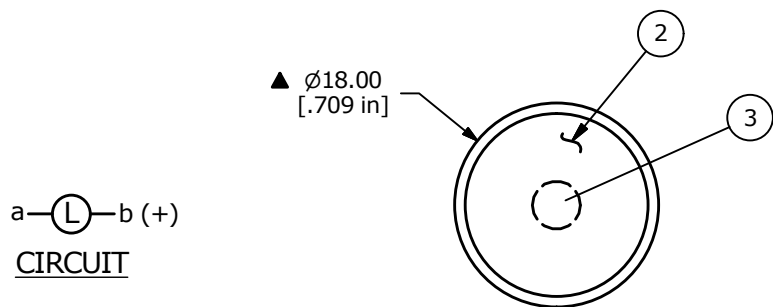


PARTS LIST			
ITEM	QTY	PART NUMBER	DESCRIPTION
1	1	F040003	L16PL10 BODY
2	1	F050101	50-001-01 BLUE CONCAVE TRANSPARENT LENS
3	1	F050402	50-004-02 6V AC/DC 200mA (Incandescent Bulb)

RECOMMENDED PANEL MOUNTING



- NOTE:
1. ALL DIMENSIONS IN MM [INCH]
 2. GENERAL TOLERANCE: X.X = ±0.4
X.XX = ±0.25
 3. TERMINAL NUMBERS FOR REF ONLY
 4. OPERATING TEMP: -25°C to +55°C
 5. STORAGE TEMP: -40°C to +85°C
 - ▲ 6. LAMP VOLTAGE: 6V AC/DC 200mA (Incandescent Bulb)
 7. SEAL: PROTECTED TO IP40.
 8. PANEL THICKNESS: 0.5 - 5.0 mm
 9. PACKAGE: 20 PER BOX
 10. ▲ DENOTES CRITICAL PARAMETER.
 11. 2002/95/EC (ROHS) COMPLIANT.



A	22486	RELEASED FOR PRODUCTION	9/8/16	MW
REV	PCR NO	DESCRIPTION	DATE	BY

TITLE L16PLR10ABLU				
SCALE	DATE	DR	DWG	REV
3:2	9/8/2016	MW	XF0910P	A

THE INFORMATION CONTAINED IN THIS DOCUMENT IS PROPRIETARY TO E-SWITCH AND IS NOT TO BE COPIED OR TRANSFERRED