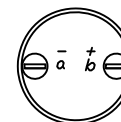
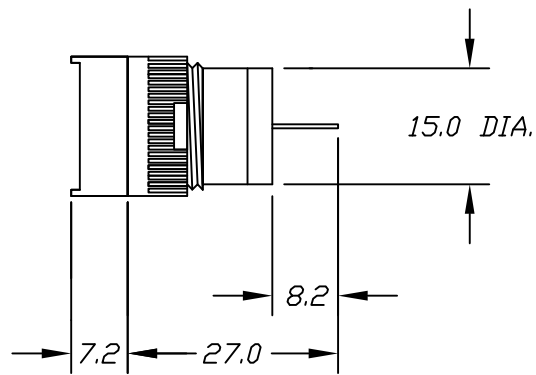
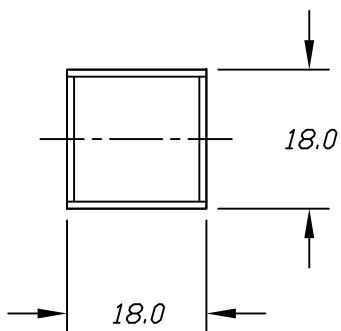


RECOMMEND PANEL MOUNTING



a-(L)-b (+)

CONTACT CONFIGURATION

NOTES:

1. ALL DIMENSIONS IN MM
2. GENERAL TOLERANCE: 0.0=±0.4  
0.00=±0.25

**E-SWITCH®**

TITLE					L16PLS1				
SCALE	1:1	DATE	4/22/97	DR	MM	DWG	F040002	REV	B

B		REVISED & REDRAWN	10/5/98	
REV.	ECN No.	DESCRIPTION	DATE	CHKD

THE INFORMATION CONTAINED IN THIS DOCUMENT IS PROPRIETARY TO E-SWITCH AND IS NOT TO BE COPIED OR TRANSFERRED