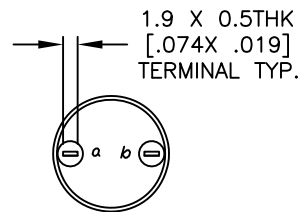
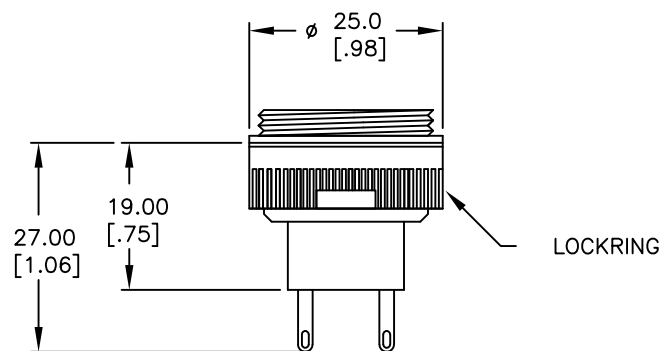
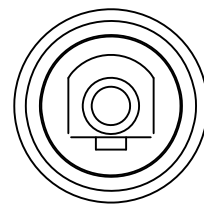


a-(L)-b (+)

PILOT INDICATOR

NOTES:

1. ALL DIMENSIONS IN MM [INCH]
2. GENERAL TOLERANCE: X.X=±0.4
X.XX=±0.25
3. RATINGS: 5A@250V AC,
8A@125V AC
4. CONTACT MATERIAL: COPPER ALLOY W/Gold Plating
5. MECHANICAL LIFE: >100,000 Cycles
6. ELECTRICAL LIFE: >50,000 Cycles
7. INSULATION RESISTANCE: >1000 MILLI-OHMS
8. OPERATING TEMP: -20°C to 55°C
9. HARDWARE SUPPLIED: LOCKRING, GASKET



E-SWITCH®

TITLE					LAP PLV10				
SCALE	DATE	DR	DWG	REV					
1:1	--	--	F060600	A					

A	12488	RELEASED FOR PRODUCTION	10/16/02	CJB
REV.	ECN No.	DESCRIPTION	DATE	CHKD

THE INFORMATION CONTAINED IN THIS DOCUMENT IS PROPRIETARY TO E-SWITCH AND IS NOT TO BE COPIED OR TRANSFERRED