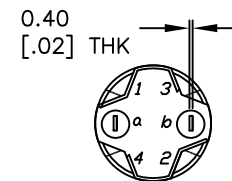
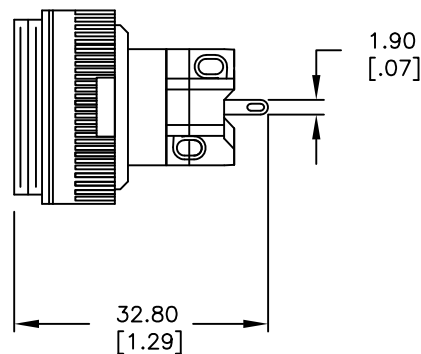
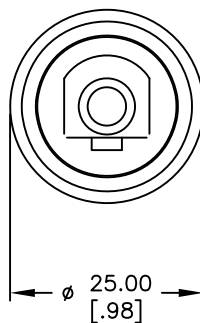


RECOMMENDED PANEL MOUNTING

1 o 1 o 2
 3 o o 4
 a-(L)-b (+)

SPST
CONTACT CONFIGURATION



NOTES:

1. ALL DIMENSIONS IN MM [INCH]
2. GENERAL TOLERANCE: 0.0=±0.4
0.00=±0.25
3. RATINGS: 250VAC @5A,
125VAC @8A
4. TRAVEL: 3.0mm



A	11899	RELEASED FOR PRODUCTION	2/4/02	CJB
REV.	ECN No.	DESCRIPTION	DATE	CHKD

TITLE				
LAS DA V1 10 (MOMENTARY)				
SCALE	DATE	DR	DWG	REV
1:1	2/4/02	CJB	F060606	A

THE INFORMATION CONTAINED IN THIS DOCUMENT IS PROPRIETARY TO E-SWITCH AND IS NOT TO BE COPIED OR TRANSFERRED