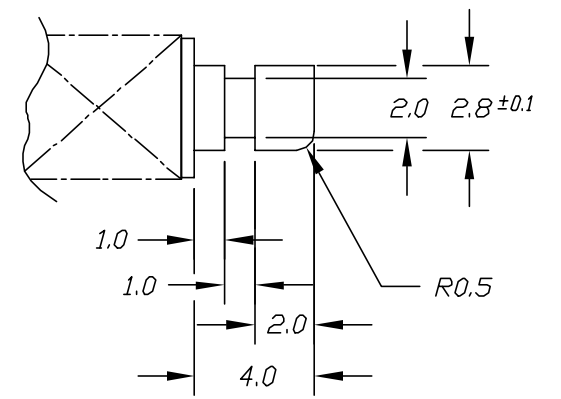
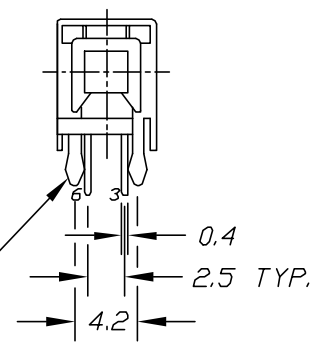
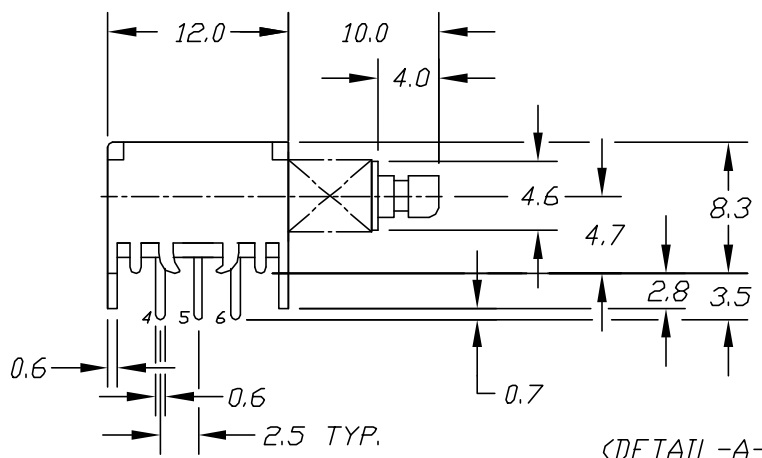
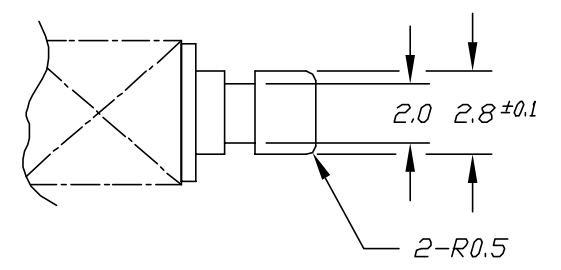
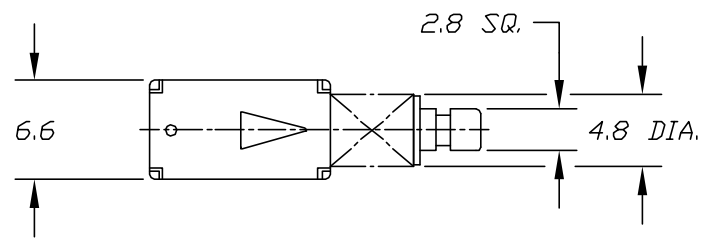


CIRCUIT: DPDT
CONTACT CONFIGURATION



(ACTUATOR DETAIL) SCALE 4:1

NOTES:

1. ALL DIMENSIONS IN MM [IN]
2. TERM. NOS. FOR REF ONLY
3. RATING: DC 30V, 0.3A
4. OPERATING FORCE: 330±100gf
5. TRAVEL: FULL 3.5mm, LOCK 2.5mm

				E-SWITCH®	
				TITLE LC 2259 EE N P	
A	RELEASED FOR PRODUCTION			SCALE	2:1
REV.	DESCRIPTION	DATE	CHKD	DATE	12/9/96
THE INFORMATION CONTAINED IN THIS DOCUMENT IS PROPRIETARY TO E-SWITCH AND IS NOT TO BE COPIED OR TRANSFERRED				TOLERANCES	0.0 ±0.4 ±0.25
				DR	MM
				DWG	P070230
				REV	A