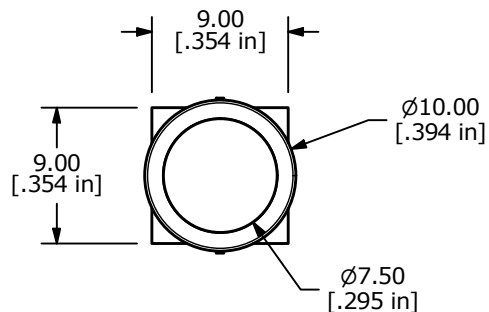
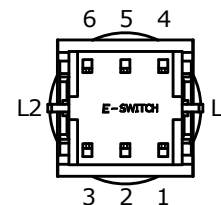
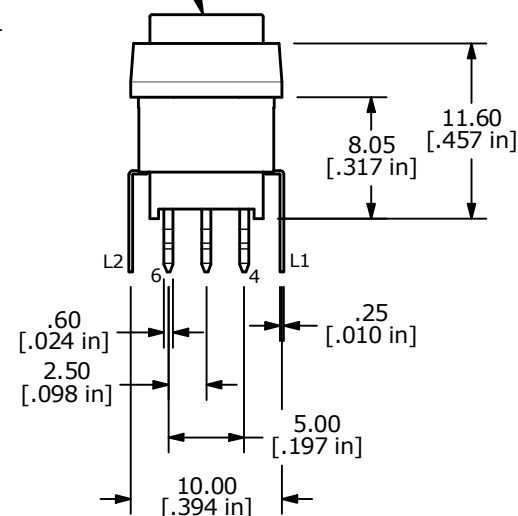
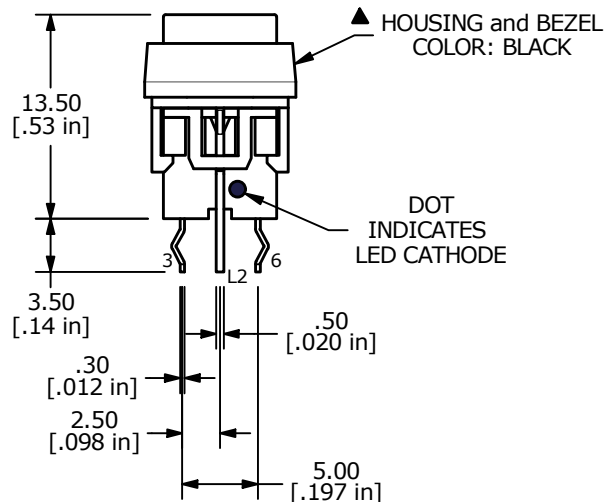


NOTES:

1. ALL DIMENSIONS IN MM [INCH]
2. GENERAL TOLERANCE: X.X = ±0.4  
X.XX = ±0.25
3. TERMINAL NUMBERS FOR REF ONLY
4. CONTACT RATING: CURRENT: 100mA  
VOLTAGE: 30 VDC
5. OPERATING LIFE: 50,000 MAKE-AND-BREAK CYCLES
6. INSULATION RESISTANCE: 500VDC, 100M OHM. MIN.
7. OPERATING FORCE: 250gf ±100gf
8. OPERATING TEMP.: -40°C to 85°C
- ▲ 9. TRAVEL: 0.7 ±0.3mm LOCK  
1.80 ±0.3mm FULL TRAVEL
10. CONTACT RESISTANCE: 50m OHM MAX.
11. ▲ DENOTES CRITICAL PARAMETER.
- ▲ 12. LED COLOR: WHITE



▲ TRANSPARENT CAP with WHITE LED



LED SPECS	UNITS	WHITE
FORWARD CURRENT	mA	20
FORWARD VOLTAGE @ 20mA	V	3.2-4.0
LUMINOUS INTENSITY @ 20mA	MCD	250

REV	ECO NO	DESCRIPTION	DATE	BY
A	ECO-101029	Release	06/17/22	MW



OBJECT ID  
100122132

TITLE LP4EE1PBBTW				
SCALE 2:1	DATE 6/2/2022	DR MW	DWG B240072	REV A