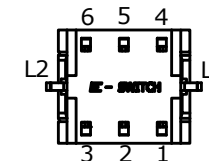
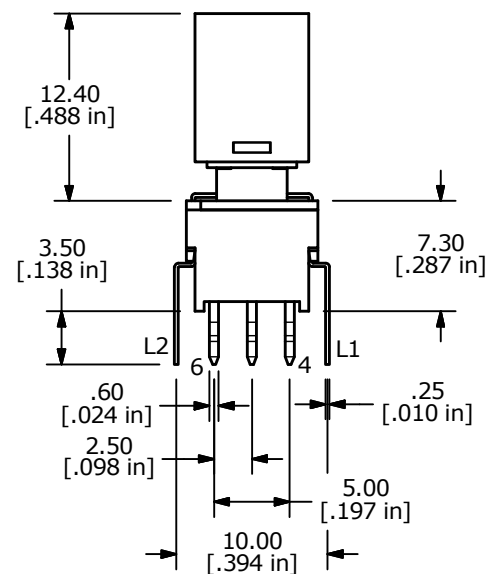
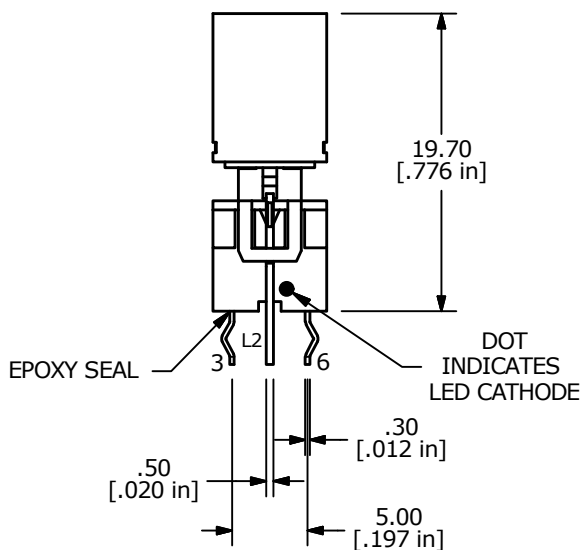
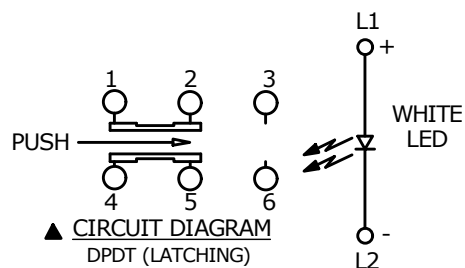
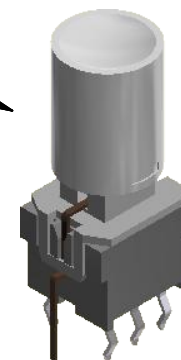


TRANSPARENT CAP  
w/o BEZEL  
with LED  
ILLUMINATED WHITE



- NOTES:
1. ALL DIMENSIONS IN MM [INCH]
  2. GENERAL TOLERANCE: X.X =  $\pm 0.4$   
X.XX =  $\pm 0.25$
  3. TERMINAL NUMBERS FOR REF ONLY
  4. CONTACT RATING: CURRENT: 100mA  
VOLTAGE: 30 VDC
  5. OPERATING LIFE: 50,000 MAKE-AND-BREAK CYCLES
  6. INSULATION RESISTANCE: 500VDC, 100M $\Omega$  MIN.
  7. OPERATING FORCE: 250gf  $\pm$  100gf
  8. OPERATING TEMP.: -40°C to 85°C
  - ▲ 9. TRAVEL: 0.7  $\pm$  0.3mm LOCK  
1.8  $\pm$  0.3mm FULL TRAVEL
  10. CONTACT RESISTANCE: 50m $\Omega$  MAX.
  11. ▲ DENOTES CRITICAL PARAMETER.
  - ▲ 12. LED COLOR: WHITE

LED SPECS	UNITS	WHITE
FORWARD CURRENT	mA	20
FORWARD VOLTAGE @ 20mA	V	3.2 - 4.0
LUMINOUS INTENSITY @ 20mA	MCD	250



A	23855	RELEASE	4/24/19	MW
REV	PCR NO	DESCRIPTION	DATE	BY

TITLE LP4EE1PBCTW				
SCALE	DATE	DR	DWG	REV
2:1	4/24/2019	MW	B240060	A

THE INFORMATION CONTAINED IN THIS DOCUMENT IS PROPRIETARY TO E-SWITCH AND IS NOT TO BE COPIED OR TRANSFERRED