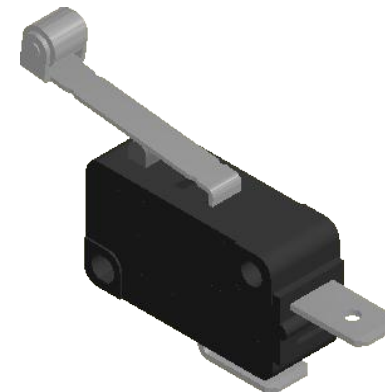
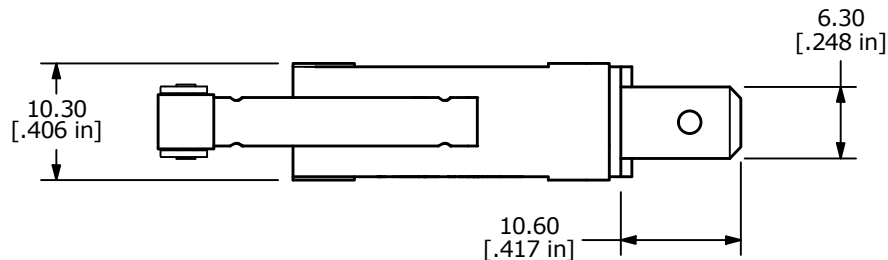
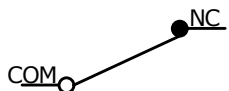


MOUNTING

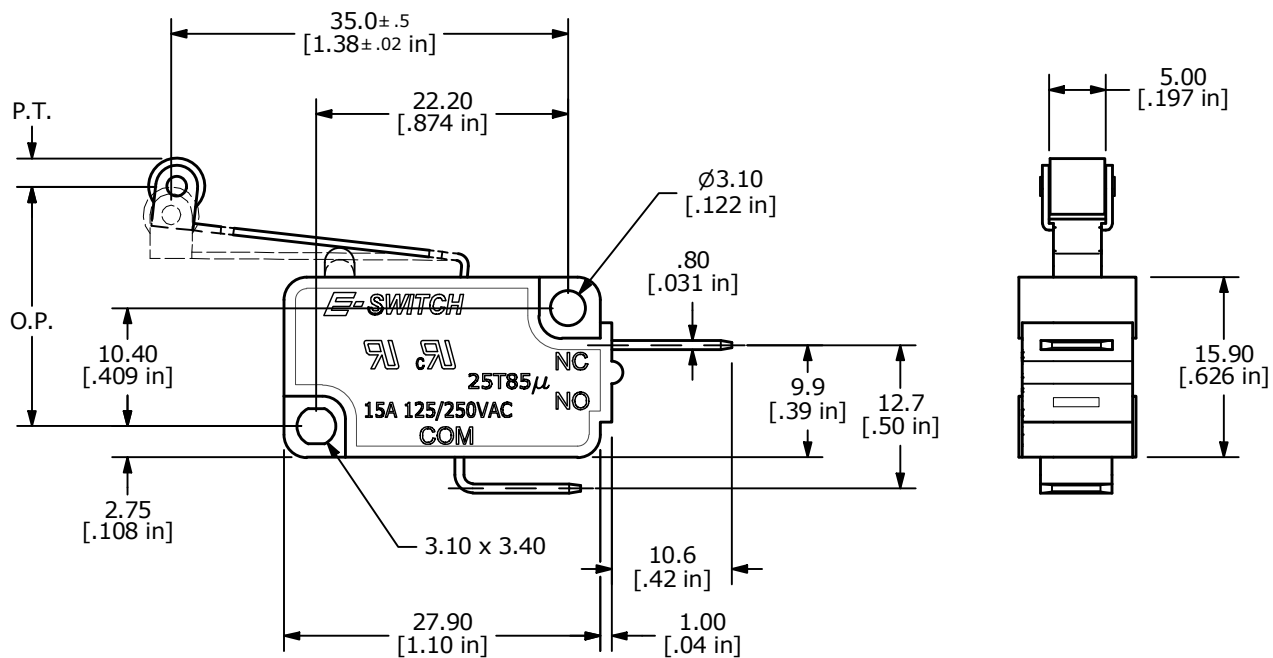


O.P. (MM)	P.T. (MM)
20.7 ± 1.5	5.5 MAX.

O.P. = OPERATING POINT  
P.T. = PRE-TRAVEL



▲ CIRCUIT: SPST  
NORMALLY CLOSED



NOTES:

1. ALL DIMENSIONS IN MM [INCH]
2. GENERAL TOLERANCE: X.X = ± 0.4  
X.XX = ± 0.25
3. RATING: 15A @125/250VAC UL, CUL APPROVED
- ▲ 4. OPERATING FORCE: 120 ± 40gf
5. OPERATING TEMP: -25°C to 85°C
6. ELECTRICAL LIFE: 50,000 CYCLES MIN.
7. MECHANICAL LIFE: 1,000,000 CYCLES TYP.
8. INSULATION RESISTANCE: 100 MΩ MIN.
9. DIELECTRIC STRENGTH: 1500VAC 1 MINUTE (INITIAL VALUE)
10. CONTACT RESISTANCE: 100 mΩ MAX.
11. ▲ DENOTES CRITICAL PARAMETER

REV	ECO NO	DESCRIPTION	DATE	BY	E-SWITCH®			OBJECT ID	
B	ECO-100848	REMOVE VDE RATING AND LOGO	05/09/22	JS	TITLE LS0851506F120C2B			000021107	
THE INFORMATION CONTAINED IN THIS DOCUMENT IS PROPRIETARY TO E-SWITCH AND IS NOT TO BE COPIED OR TRANSFERRED					SCALE	DATE	DR	DWG	REV
					3:2	5/22/2019	MW	Q950123	B