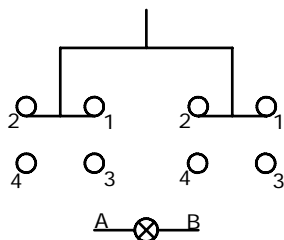


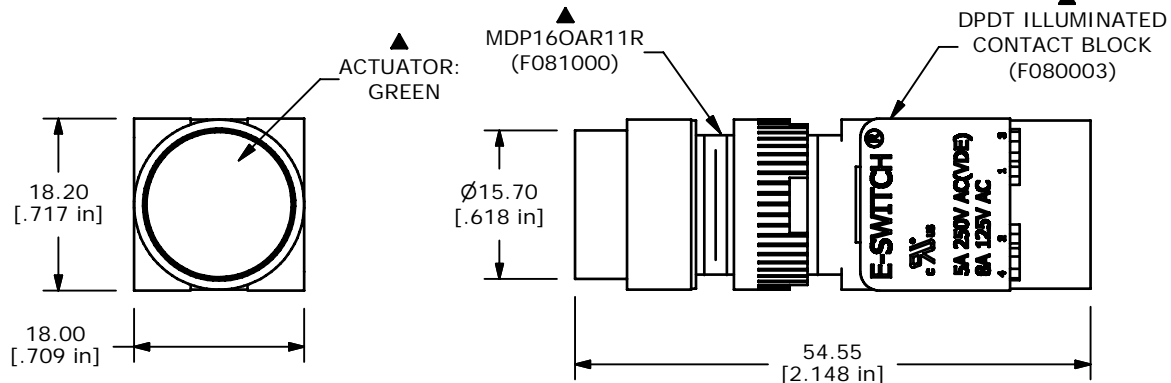
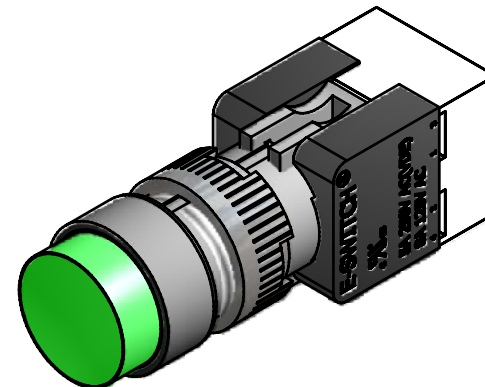
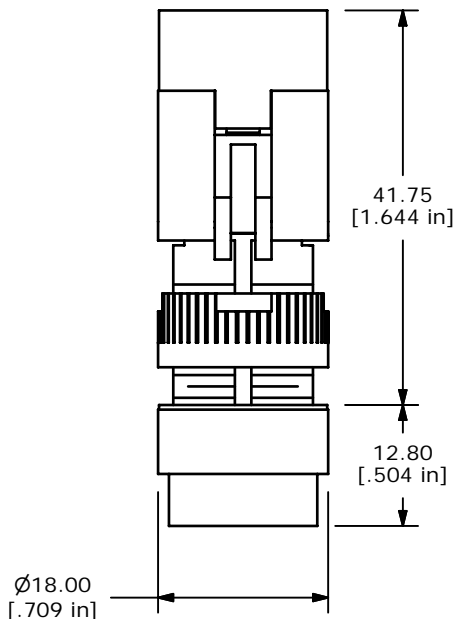
PANEL MOUNT




CIRCUIT: DPDT

NOTE:

1. ALL DIMENSIONS IN MM [INCH]
2. GENERAL TOLERANCE: X.X=±0.4  
X.XX=±0.25
3. TERMINAL NUMBERS FOR REF ONLY
- ▲4. RATING: 5A @ 250VAC; 8A @125VAC; 4A@ 250VAC
5. INSULATION RESISTANCE: 50 MEGA-OHMS (INITIAL)
- ▲6. ELECTRICAL LIFE: 30,000 MAKE-AND-BREAK CYCLES
7. CONTACT MATERIAL: SILVER
8. OPERATING TEMP.: -25°C to 55°C
9. STORAGE TEMP.: -40°C to 70°C
10. ▲ DENOTES CRITICAL PARAMETER.
11. 2002/95/EC (ROHS) COMPLIANT
12. PACKAGING: SHIPPED SEPARATELY IN BULK
13. LAMP: LED 6VDC



B	18086	update drawing title	5/7/08	rc
A	17635	RELEASED FOR PRODUCTION	9/5/07	BF
REV	PCR NO	DESCRIPTION	DATE	BY
THE INFORMATION CONTAINED IN THIS DOCUMENT IS PROPRIETARY TO E-SWITCH AND IS NOT TO BE COPIED OR TRANSFERRED				



TITLE MDP16OAR129G				
SCALE 1.25 : 1	DATE 9/5/2007	DR BF	DWG XF0737P	REV B