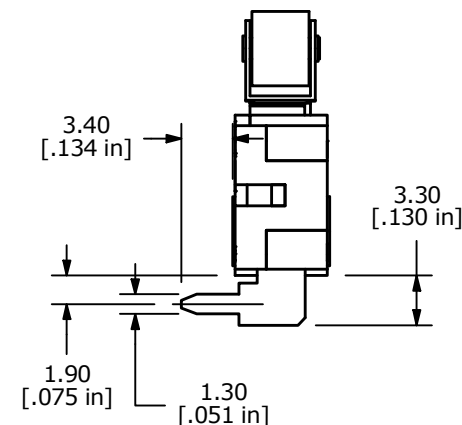
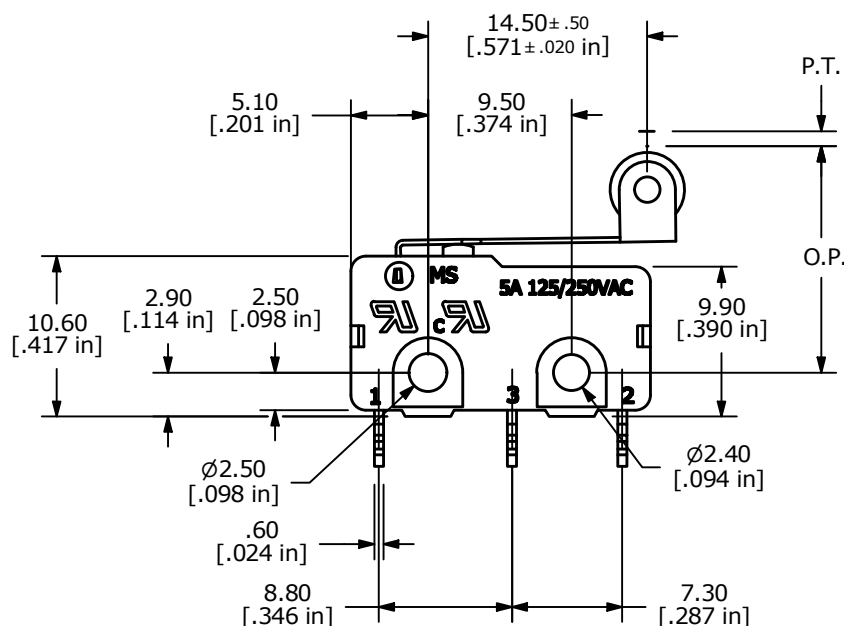
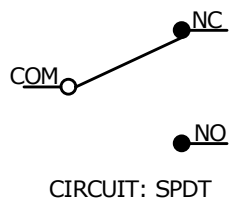


| O.P. (MM) | P.T. (MM) |
|-----------|-----------|
| 14.9±1.0 | 4.0 MAX |

O.P. = OPERATING POINT
P.T. = PRE-TRAVEL



NOTES:

1. ALL DIMENSIONS IN MM [INCH]
2. GENERAL TOLERANCE: X.X±0.4
X.XX±0.25
3. RATING: 5A @125/250VAC UL, CUL
- ▲ 4. OPERATING FORCE: 50± 20 GRAMS
5. OPERATING TEMP: -25°C TO 85°C
6. ELECTRICAL LIFE: 50,000 CYCLES MIN.
7. MECHANICAL LIFE: 1,000,000 CYCLES TYP.
8. INSULATION RESISTANCE: 100 MEGA-OHMS @ 500VDC
9. DIELECTRIC STRENGTH: 1000VAC 1 MINUTE (INITIAL VALUE)
10. CONTACT RESISTANCE: 100 MILLI-OHMS MAX.
11. ▲ DENOTES CRITICAL PARAMETER.

| REV | ECO NO | DESCRIPTION | DATE | BY | E-SWITCH® | | | OBJECT ID | |
|-----|------------|-------------|----------|----|------------------------|---------------|-------|-------------|-------|
| A | ECO-101888 | RELEASE | 05/04/23 | JS | | | | 100124381 | |
| | | | | | TITLE MS0850505F050V2A | | | | |
| | | | | | SCALE 2:1 | DATE 5/2/2023 | DR JS | DWG Q970199 | REV A |

THE INFORMATION CONTAINED IN THIS DOCUMENT IS PROPRIETARY TO E-SWITCH AND IS NOT TO BE COPIED OR TRANSFERRED