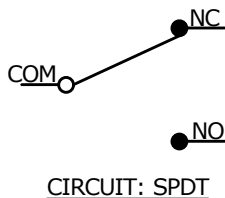


P.C. MOUNTING

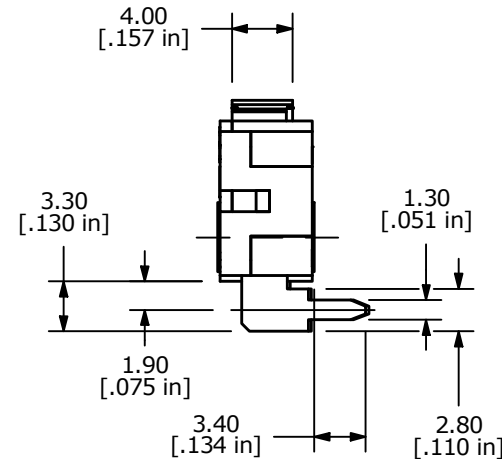
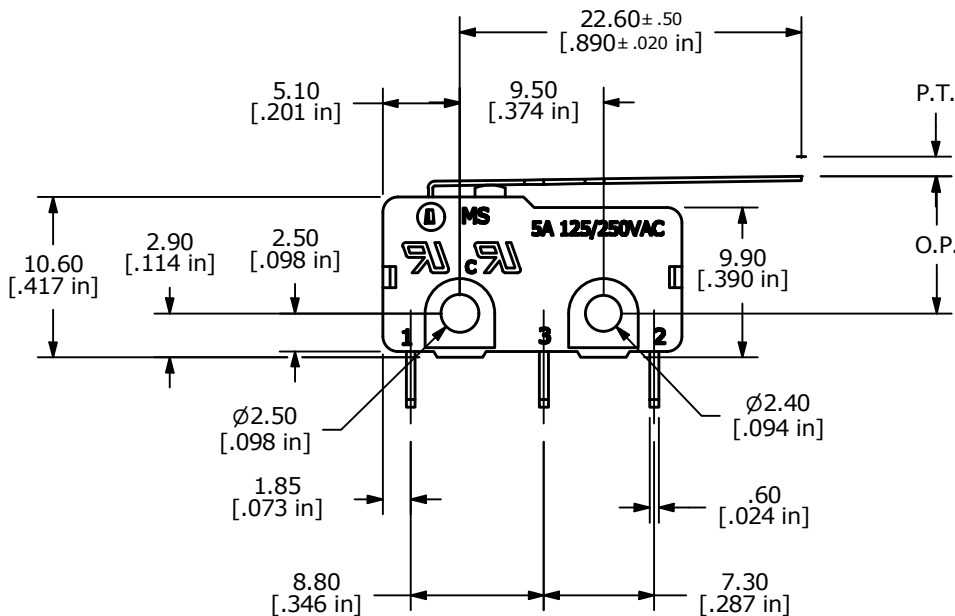
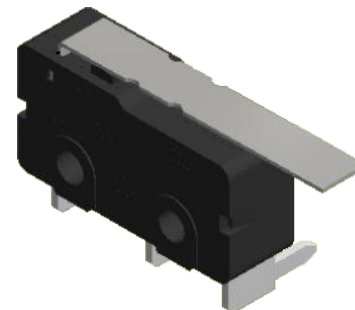
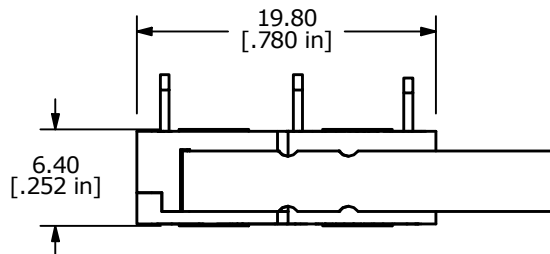
O.P. (MM)	P.T. (MM)
9.5 ± 0.8	4.2 MAX

O.P. = OPERATING POINT
P.T. = PRE-TRAVEL



NOTES:

1. ALL DIMENSIONS IN MM [INCH]
2. GENERAL TOLERANCE: X.X=± 0.4
X.XX=± 0.25
3. RATING: 0.4VA @20VAC OR DC
- ▲ 4. OPERATING FORCE: 15± 6 GRAMS
5. OPERATING TEMP: -25°C TO 85°C
6. ELECTRICAL LIFE: 50,000 CYCLES MIN.
7. MECHANICAL LIFE: 1,000,000 CYCLES TYP.
8. INSULATION RESISTANCE: 100 MEGA-OHMS
9. DIELECTRIC STRENGTH: 1000VAC 1 MINUTE (INITIAL VALUE)
10. CONTACT RESISTANCE: 100 MILLI-OHMS MAX.
- ▲ 11. CONTACTS: 10 MICRO INCHES MINIMUM GOLD PLATING (PN: Q990001)
12. ▲ DENOTES CRITICAL PARAMETER.



REV	ECO NO	DESCRIPTION	DATE	BY
C	ECO-100773	REMOVE VDE RATING AND LOGO	03/11/22	JS



OBJECT ID
000021185

TITLE MS085R103F015V1A				
SCALE	DATE	DR	DWG	REV
2:1	12/13/2005	PH	Q970048	C