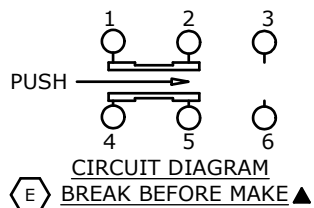


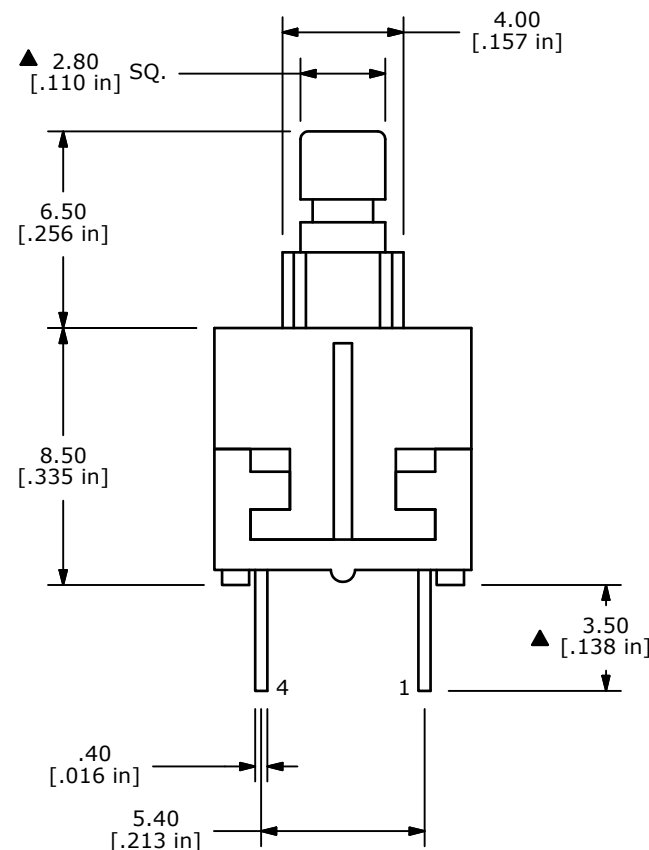
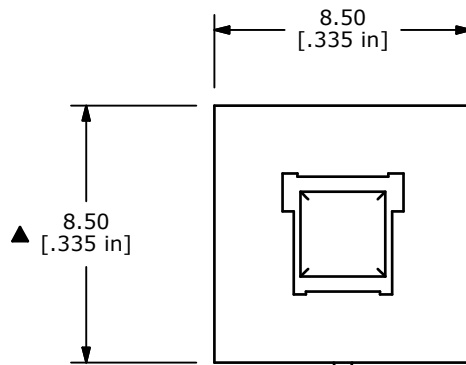
SWITCH FUNCTION	
POS. 1	POS. 2
ON	(ON)
2-1, 5-4	2-3, 5-6

(ON)=MOMENTARY

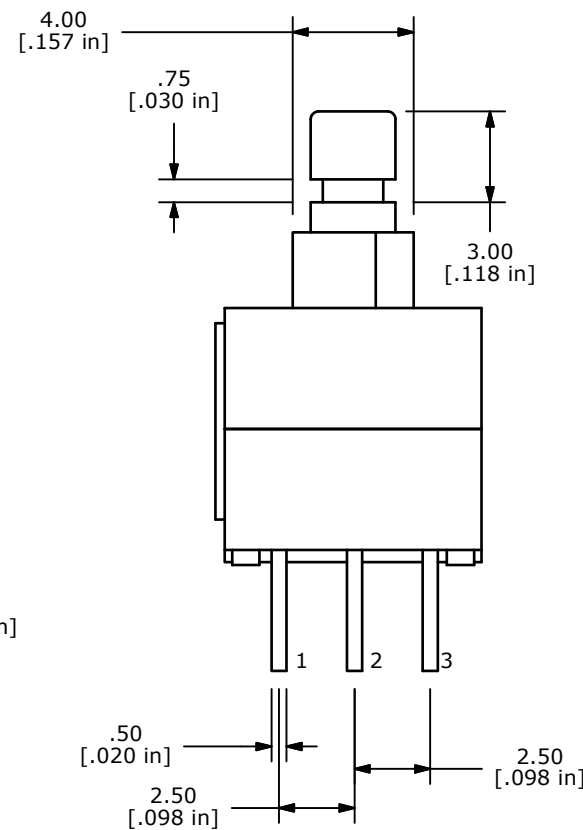
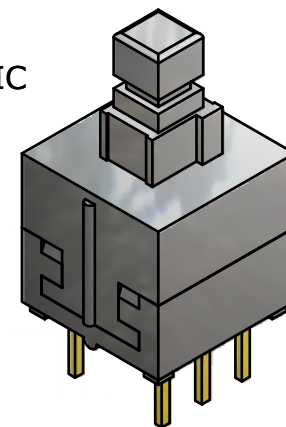


NOTES:

1. ALL DIMENSIONS IN MM [INCH]
2. GENERAL TOLERANCE: X.X±0.4
X.XX±0.25
3. TERMINAL NUMBERS FOR REF. ONLY
- ▲ 4. RATING: 0.1A @ 30VDC
5. TRAVEL: 2.50±0.38mm
6. OPERATING FORCE: 220±50gf
7. ELECTRICAL LIFE: 10,000 CYCLES
8. ▲ DENOTES CRITICAL PARAMETER



ISOMETRIC



F	19697	CHANGE TO TERMINAL NUMBERS	2/21/11	BGL
E	18068	CHANGE TO BREAK BEFORE MAKE	4/23/08	BLR
D	18032	Redrawn and chg force from 180 grams	3/19/08	RC
REV	PCR NO	DESCRIPTION	DATE	BY

THE INFORMATION CONTAINED IN THIS DOCUMENT IS PROPRIETARY TO E-SWITCH AND IS NOT TO BE COPIED OR TRANSFERRED



TITLE TL2201OAZA

SCALE	DATE	DR	DWG	REV
4:1	4/23/2008	BLR	P010348	F