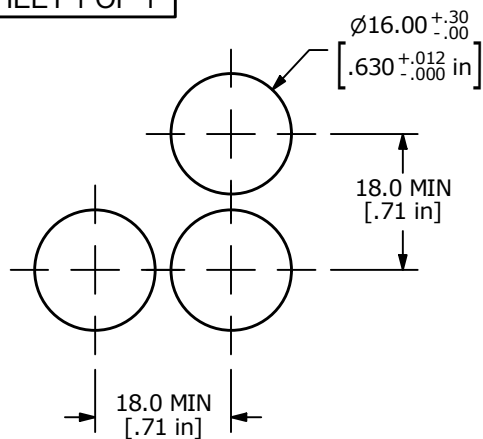
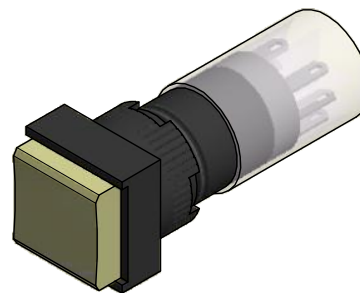
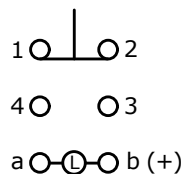


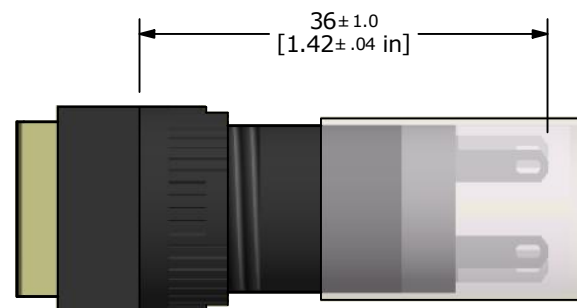
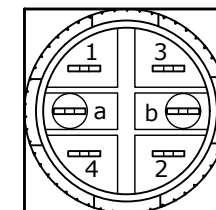
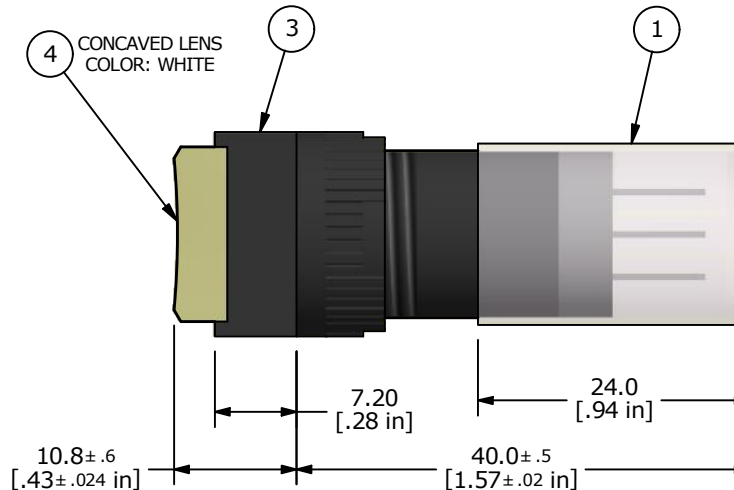
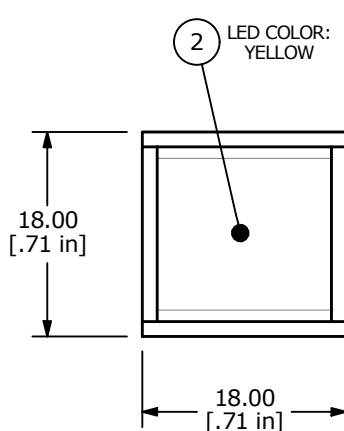
ITEM	QTY	PART NUMBER	DESCRIPTION
1	1	F051601	P16 PLASTIC TERMINAL PROTECTOR
2	1	F050417	50-004-18 6VDC YELLOW LED
3	1	F040011	P16EES11 (SQUARE BEZEL)
4	2	F050305	50-003-05 CONCAVE WHITE LENS



PANEL MOUNTING



SPDT CONTACT CONFIGURATION



- NOTE:
1. ALL DIMENSIONS IN MM [INCH]
 2. GENERAL TOLERANCE: X.X = ±0.4
X.XX = ±0.25
 3. TERMINAL NUMBERS FOR REF ONLY
 4. CONTACT RATING: 5A@ 250VAC; 8A 125VAC;
6A@ 24VDC; 0.2A 250VDC
 5. ELECTRICAL LIFE: 50,000 OPERATIONS
 6. INSULATION RESISTANCE: 1,000 MEGA-OHM MIN.
 7. OPERATING TEMP.: -25°C to 55°C
 - ▲ 8. LAMP VOLTAGE: 6VDC YELLOW LED
 - ▲ 9. ▲ DENOTES CRITICAL PARAMETER.

REV	ECO NO	DESCRIPTION	DATE	BY
A	ECO-100369	Release	09/20/21	MW



OBJECT ID
100118593

TITLE P16EES11HYELWHT				
SCALE 2:1	DATE 9/20/2021	DR MW	DWG XF0934P	REV A