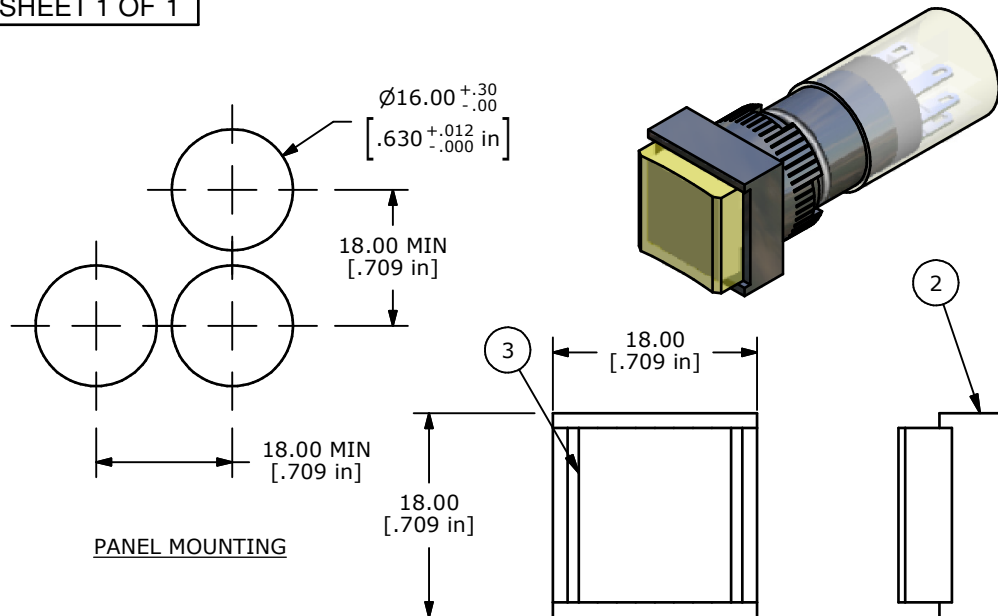
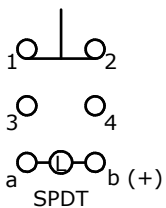


PARTS LIST				
ITEM	QTY	PART NUMBER	DESCRIPTION	
1	1	F051601	P16 PLASTIC TERMINAL PROTECTOR	
2	1	F040011	P16EES11	
3	1	F050306	50-003-06 CONCAVE YEL LENS	



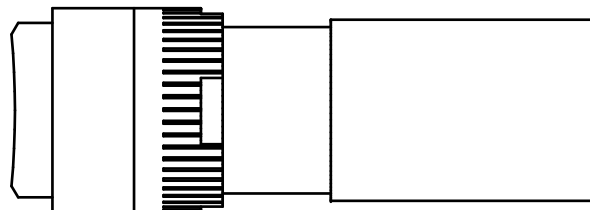
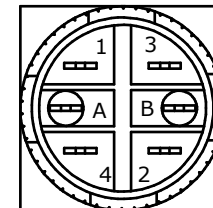
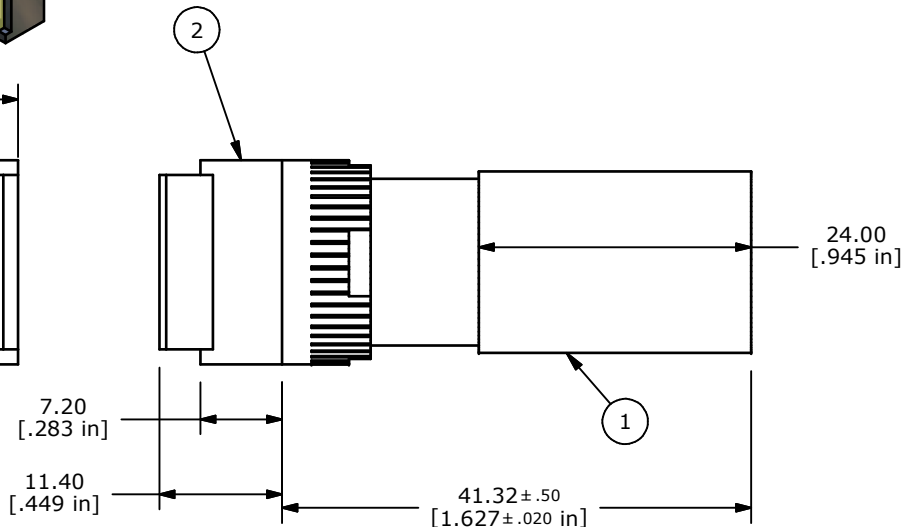
PANEL MOUNTING



CONTACT CONFIGURATION

NOTE:

1. ALL DIMENSIONS IN MM [INCH]
2. GENERAL TOLERANCE: X.X=±0.4  
X.XX=±0.25
3. TERMINAL NUMBERS FOR REF ONLY
4. CONTACT RATING: 5A@ 250VAC  
6A@ 24VDC
5. ELECTRICAL LIFE: 50,000 OPERATIONS
6. INSULATION RESISTANCE: 1,000 MEGA-OHM MIN.
7. OPERATING TEMP.: -25°C to 70°C
8. PACKAGE: BOX/20 PCS
9. 2002/95/EC (ROHS) COMPLIANT



TITLE P16EES11OYEL

A	19414	RELEASED FOR PRODUCTION	11/05/10	BA
REV	PCR NO	DESCRIPTION	DATE	BY

SCALE	DATE	DR	DWG	REV
2:1	11/5/2010	BA	XF0831P	A

THE INFORMATION CONTAINED IN THIS DOCUMENT IS PROPRIETARY TO E-SWITCH AND IS NOT TO BE COPIED OR TRANSFERRED