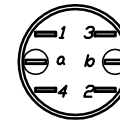
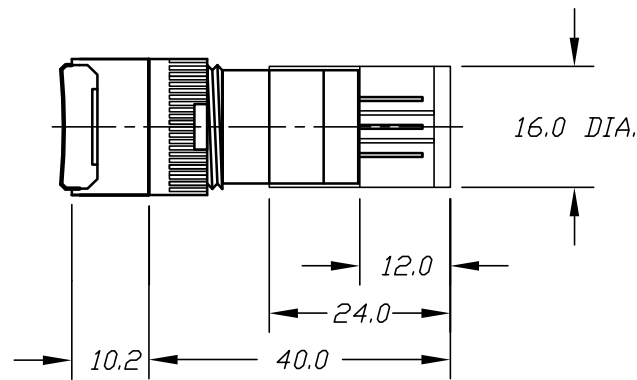
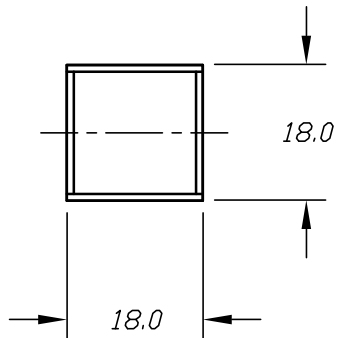


RECOMMEND PANEL MOUNTING



1 o o 2
 3 o o 4
 a (L) b (+)

CONTACT CONFIGURATION

NOTES:

1. ALL DIMENSIONS IN MM
2. TERM. NOS. FOR REF ONLY

				E-SWITCH®			
				TITLE P16PAS2-1ab			
A	RELEASED FOR PRODUCTION			SCALE	DATE	DR	DWG
REV.	DESCRIPTION	DATE	CHKD	1:1	4/2/97	MM	F040018
THE INFORMATION CONTAINED IN THIS DOCUMENT IS PROPRIETARY TO E-SWITCH AND IS NOT TO BE COPIED OR TRANSFERRED				TOLERANCES			REV
				0.0			A
				±0.4			
				±0.25			