

RECOMMENDED PANEL MOUNTING

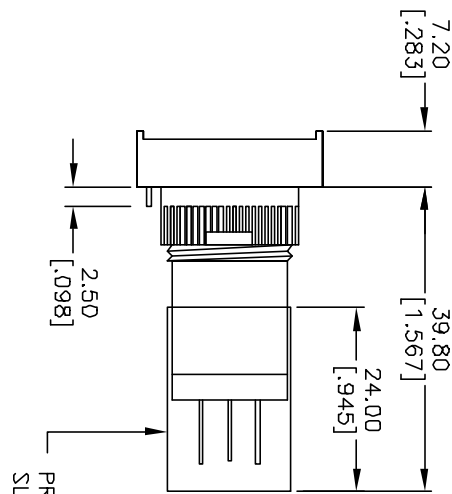
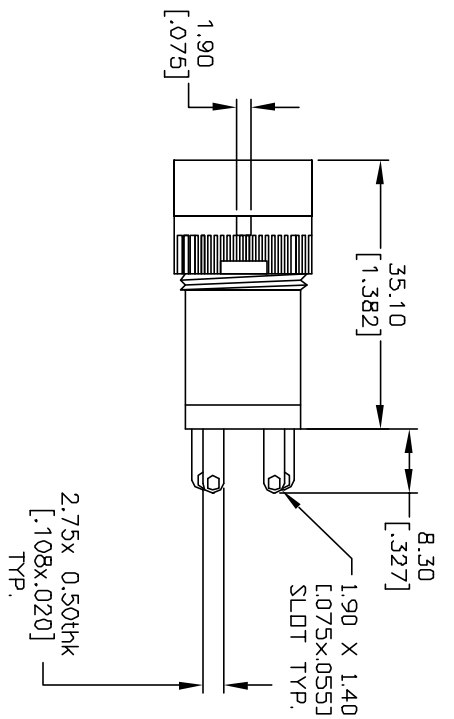
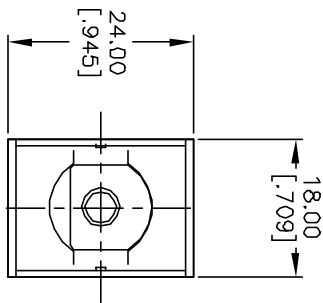
SCALE 1:1

1.0 | 0.2  
3.0 | 0.4  
a-L-b (+)

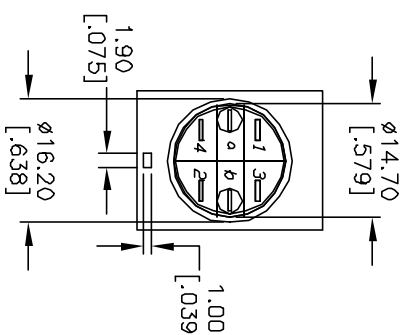
SPST  
CONTACT CONFIGURATION

NOTES:

1. ALL DIMENSIONS IN MM
2. GENERAL TOLERANCE: X.X=±0.4  
X.XX=±0.25
3. RATINGS: 5A @250V AC, 8A@125V AC
4. CONTACT MATERIAL: COPPER ALLOY W/Gold Plating
5. TRAVEL: 3.0mm



PROTECTIVE  
SLEEVE



REV.	ECN No.	DESCRIPTION	DATE	CHKD
B	11703	REVISED PART/DESCRIPTION	10/04/01	CJC

TITLE	SCALE	DATE	DR	DWG	REV
P16 EE T11 (LATCHING)	1:1	10/04/01	CJC	F040013	B

**E-SWITCH®**

THE INFORMATION CONTAINED IN THIS DOCUMENT IS PROPRIETARY TO E-SWITCH AND IS NOT TO BE COPIED OR TRANSFERRED