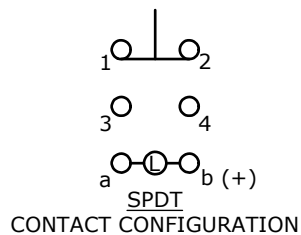
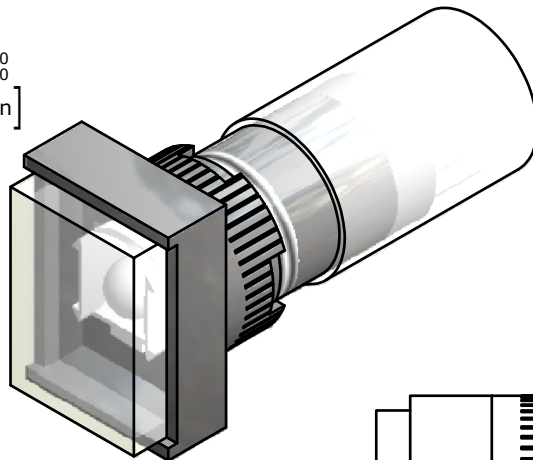


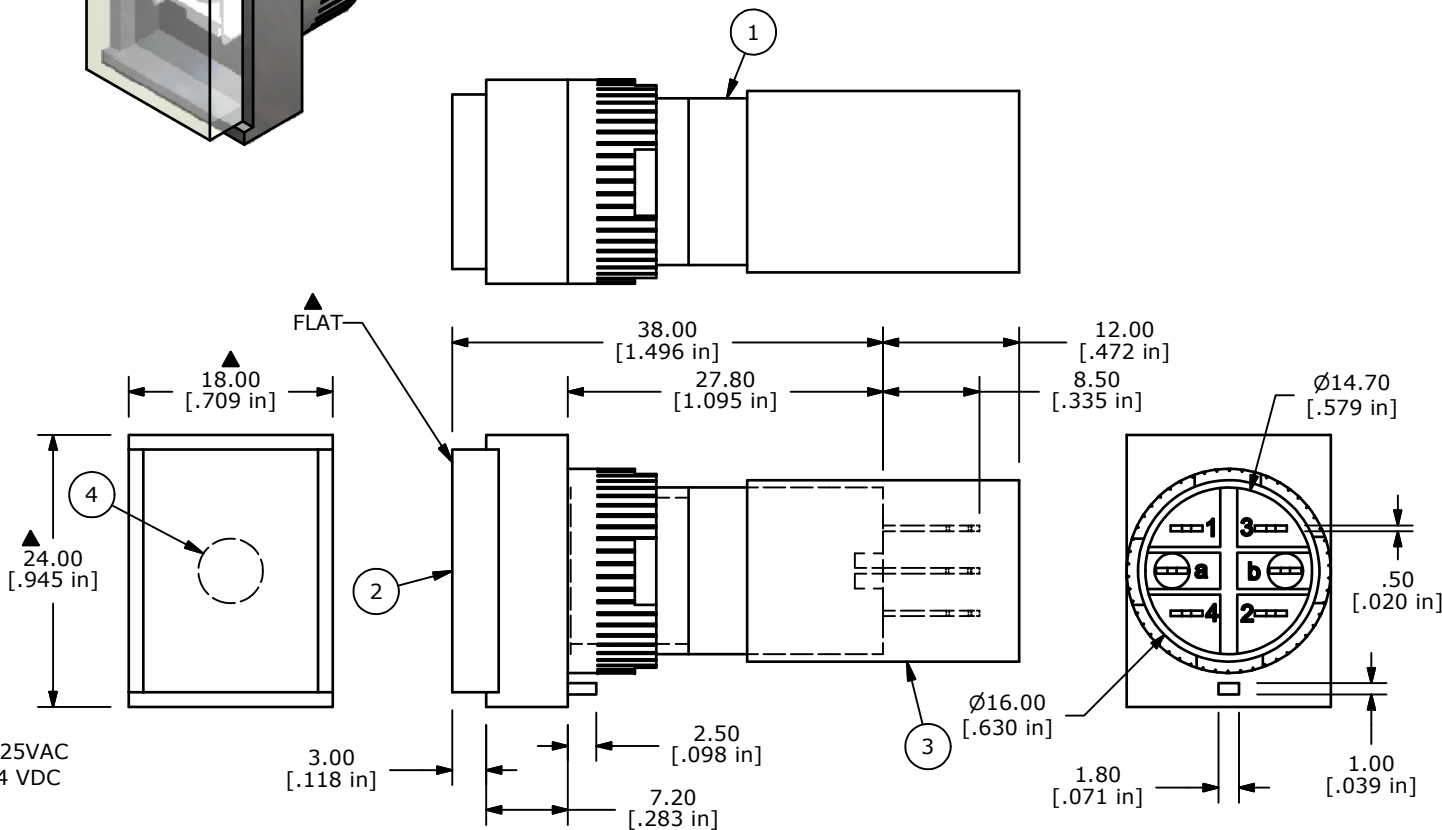
PANEL MOUNTING
MAX. PANEL THICKNESS 5MM



- NOTE:
1. ALL DIMENSIONS IN MM [INCH]
 2. GENERAL TOLERANCE: X.X = 0.4
X.XX = 0.25
 3. TERMINAL NUMBERS FOR REF. ONLY
 - ▲ 4. CONTACT RATING: 5A @ 250VAC / 8A @ 125VAC
 5. CONTACT RESISTANCE: 100mΩ MAX. @ 2-4 VDC
 6. ELECTRICAL LIFE: 50,000 CYCLES
 - ▲ 7. TRAVEL: 3.0MM
 8. CONTACT MATERIAL: COPPER ALLOY WITH SILVER PLATING
 9. OPERATING TEMPERATURE: -25°C TO 55°C WITH LAMP
 10. LAMP VOLTAGE: 6 VDC
 11. DEGREE OF PROTECTION: IP 40
 12. ▲ DENOTES CRITICAL PARAMETER
 13. 2002/95/EC (ROHS) COMPLIANT



▲ Parts List			
ITEM	QTY	PART NUMBER	DESCRIPTION
1	1	F040013	P16EET11
2	1	F050215	50-002-15 (WHITE LENS TRANSPARENT)
3	1	F051601	P16 TERMINAL PROTECTOR
4	1	F050431	50-004-31 6V LED (WHITE)



TITLE P16EET11HWHTWHT

A	20121	RELEASE FOR PRODUCTION	8/30/11	BGL
REV	PCR NO	DESCRIPTION	DATE	BY

THE INFORMATION CONTAINED IN THIS DOCUMENT IS PROPRIETARY TO E-SWITCH AND IS NOT TO BE COPIED OR TRANSFERRED

SCALE	DATE	DR	DWG	REV
1.5:1	8/31/2011	BGL	XF0844P	A