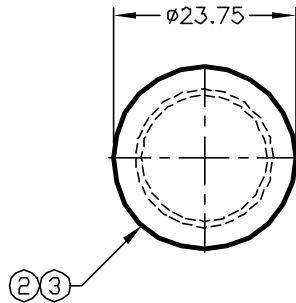


RECOMMENDED PANEL MOUNTING



1 0 | 0 2  
3 0 | 0 4  
a-(L)-b (+)

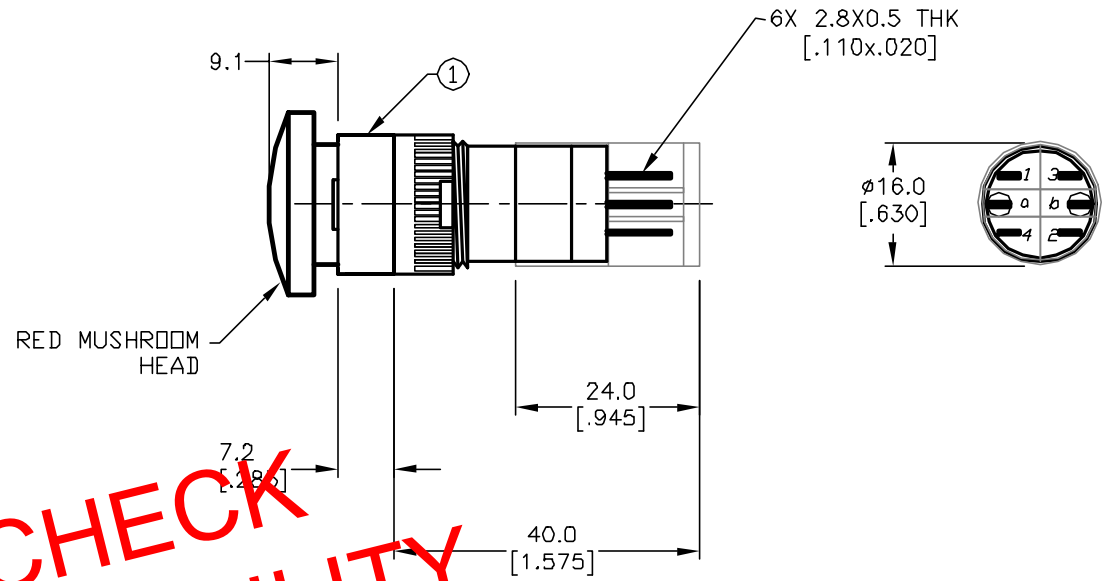
SPST  
CONTACT CONFIGURATION

NOTES:

1. ALL DIMENSIONS IN MM
2. GENERAL TOLERANCE: X.X=±0.4  
X.XX=±0.25
3. RATINGS: 5A @250V AC;  
8A @125V AC
4. CONTACT MATERIAL:  
COPPER ALLOY W/Silver Plating
5. LAMP VOLTAGE: 24V DC

CHECK  
AVAILABILITY  
ECO-101497

PARTS LIST			
Item	Qty.	Dwg. No.	Part No.
1	1	F040014	P16 OA R11
2	1	F050423	50-004-23 (RED LED)
3	1	F051212	50-012-12 (RED LENS TRANSPARENT)
4	-	SUPPLIED	P16 PLASTIC TERMINAL PROTECTOR



**E-SWITCH®**

REV.	ECN No.	DESCRIPTION	DATE	CHKD	TITLE	SCALE	DATE	DR	DWG	REV
A	12135	RELEASED FOR PRODUCTION	5/9/02	CB	P16 OA R1 K RED RED (MOMENTARY)	1.5:1	10/04/01	CB	XF0449P	A

THE INFORMATION CONTAINED IN THIS DOCUMENT IS PROPRIETARY TO E-SWITCH AND IS NOT TO BE COPIED OR TRANSFERRED