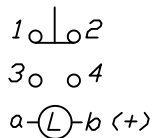
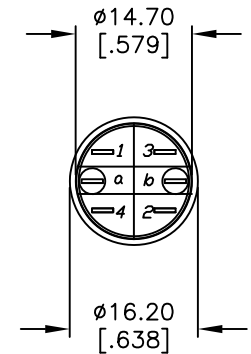
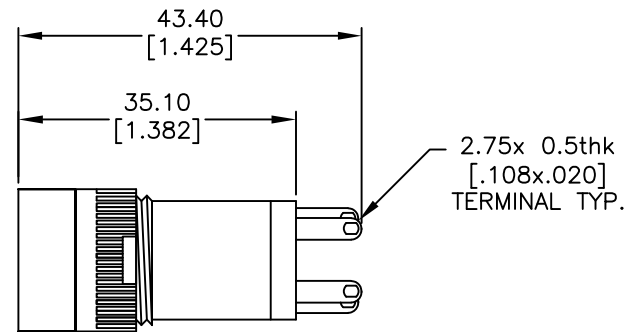
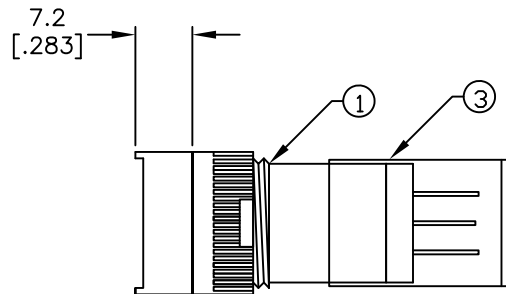
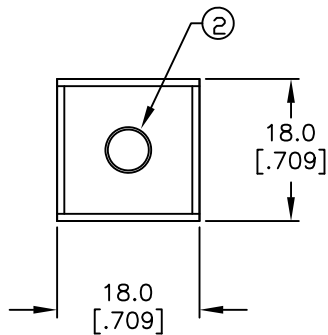


RECOMMEND PANEL MOUNTING



SPST
CONTACT CONFIGURATION



NOTES:

1. ALL DIMENSIONS IN MM [INCH]
2. GENERAL TOLERANCE: X.X=±0.4
X.XX=±0.25
3. TERM. NOS. FOR REFERENCE ONLY.
4. RATING: 5A@250V AC;
8A@125V AC
5. MECHANICAL LIFETIME: >2 MILLION OPERATIONS
6. TRAVEL: 3.0MM (TOTAL)
7. CONTACT MATERIAL: COPPER ALLOY W/SILVER PLATING
8. LAMP VOLTAGE: 24V DC

PARTS LIST

ITEM	QTY.	PART NO.	PART DESCRIPTION
1	1	F040010	P16 OA S11
2	1	F050424	50-004-24 (YEL L.E.D.)
3	1	F051601	P16 PLASTIC TERMINAL PROTECTOR

E-SWITCH®

P16OAS11KYEL

A	12911	RELEASED FOR PRODUCTION	3/14/03	AR
REV.	ECN No.	DESCRIPTION	DATE	CHKD

THE INFORMATION CONTAINED IN THIS DOCUMENT IS PROPRIETARY TO E-SWITCH AND IS NOT TO BE COPIED OR TRANSFERRED

TITLE	P16OAS11KYEL			
SCALE	1.5:1	DATE	3/14/03	DR
			AR	DWG
			XF0543P	REV
			A	