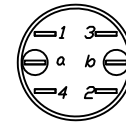
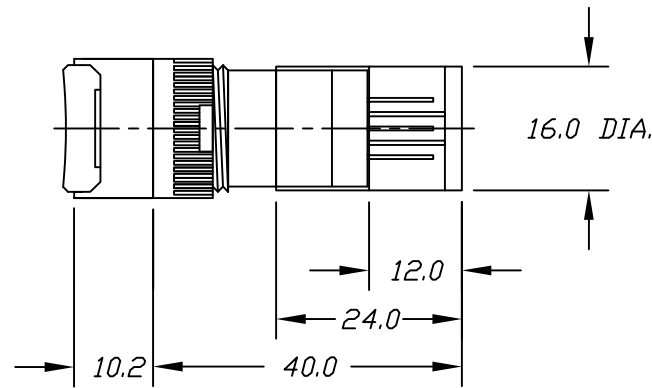
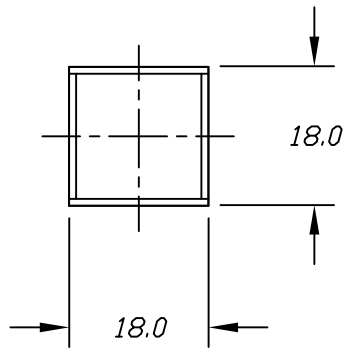


RECOMMEND PANEL MOUNTING



1 a 2  
 3 o 4  
 a-(L)-b(+)

CONTACT CONFIGURATION

NOTES:

1. ALL DIMENSIONS IN MM
2. TERM. NOS. FOR REF ONLY

TOLERANCES ±0.4 ±0.25		<b>E-SWITCH®</b>						
		TITLE P16PMS2-1ab						
A	RELEASED FOR PRODUCTION	DATE	CHKD	SCALE	DATE	DR	DWG	REV
REV.	DESCRIPTION			1:1	6/10/97	MM	F040701	A
THE INFORMATION CONTAINED IN THIS DOCUMENT IS PROPRIETARY TO E-SWITCH AND IS NOT TO BE COPIED OR TRANSFERRED								