

RECOMMENDED PANEL MOUNTING

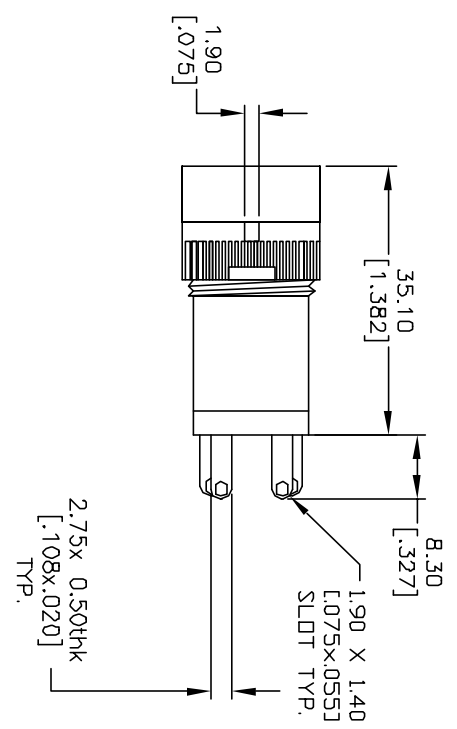
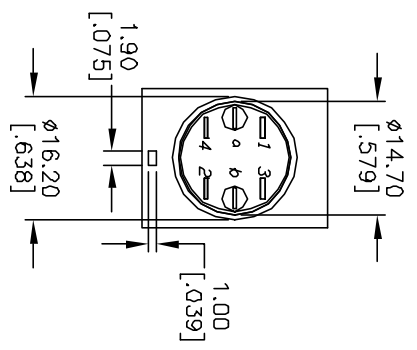
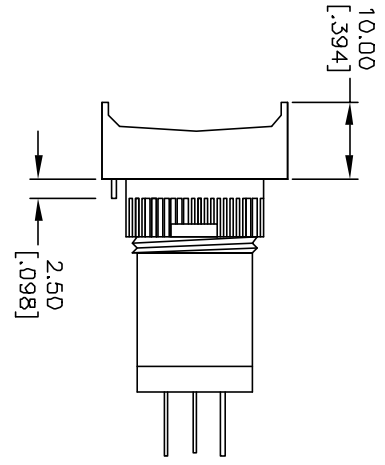
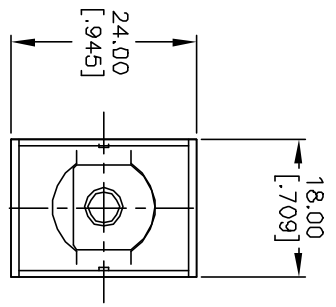
SCALE 1:1

1 0 | 0 2
3 0 0 4
a-L-b (+)

SPST CONTACT CONFIGURATION

NOTES:

1. ALL DIMENSIONS IN MM
2. GENERAL TOLERANCE: X.X=±0.4
X.XX=±0.25
3. RATINGS: 5A @250V AC, 8A@125V AC
4. CONTACT MATERIAL: COPPER ALLOY W/Gold Plating
5. TRAVEL: 3.0mm



E-SWITCH®

REV. B		11703		REVISED PART/DESCRIPTION		10/05/01		CJC	
REV. B		11703		DESCRIPTION		DATE		CHKD	
THE INFORMATION CONTAINED IN THIS DOCUMENT IS PROPRIETARY TO E-SWITCH AND IS NOT TO BE COPIED OR TRANSFERRED									
TITLE		SCALE		DATE		DR		DWG	
P16 DA T21 (MOMENTARY)		1:1		10/05/01		CJC		F040500	
REV B									