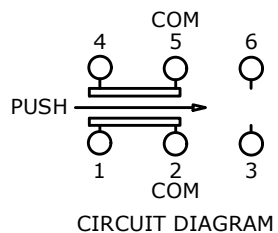
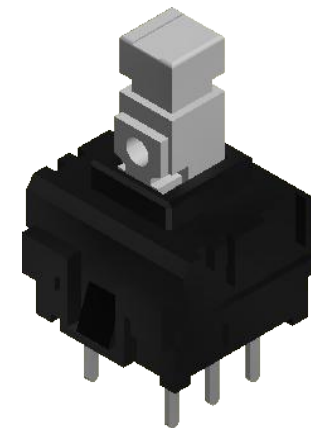
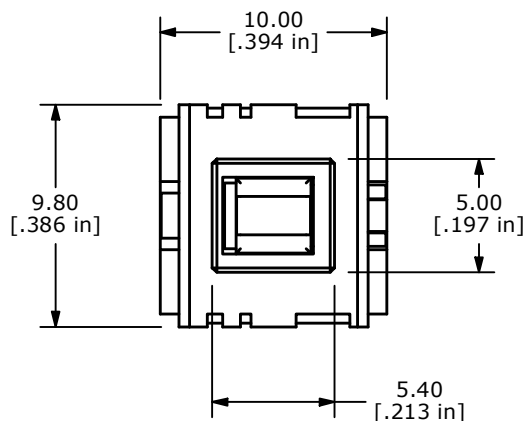


P.C.B. LAYOUT

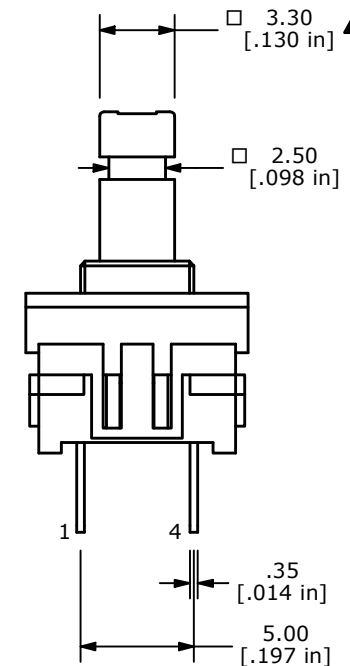
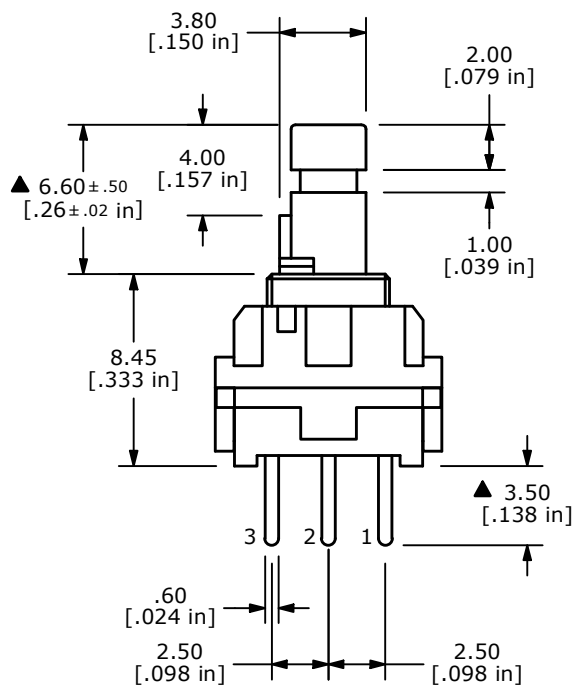
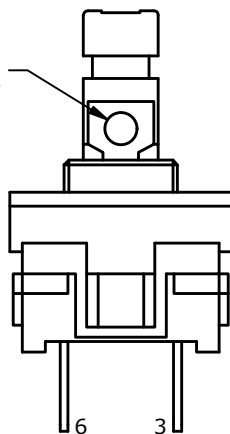
SWITCH FUNCTION	
POS. 1	POS. 2
ON	(ON)
2-1, 5-4	2-3, 5-6

(ON) = MOMENTARY



CIRCUIT DIAGRAM

HOLE USED TO IDENTIFY TERMINALS



- NOTE:
1. ALL DIMENSIONS IN mm [INCH]
 2. GENERAL TOLERANCE: x.x = ±0.4
x.xx = ± 0.25
 3. TERMINAL NUMBERS FOR REF. ONLY
 - ▲ 4. CONTACT RATING: 0.1A @ 30 VDC
 5. TRAVEL: FULL = 1.8mm
 - ▲ 6. OPERATING FORCE: 250 ±100gf
 7. ELECTRICAL LIFE: 10,000 CYCLES
 8. CONTACT RESISTANCE: 30mΩ MAX.
 9. ▲ DENOTES CRITICAL PARAMETER
 10. CONTACT MATERIAL: SILVER



OBJECT ID
000020107

C	24304	note 4 to 250 +/-100	5/12/20	MW
B	21131	Re-Release Part Number	5/16/13	rc
REV	PCR NO	DESCRIPTION	DATE	BY

TITLE		JN2UOANAGX	
SCALE	DATE	DR	DWG
3:1	5/16/2013	rc	P200000
			REV
			C

THE INFORMATION CONTAINED IN THIS DOCUMENT IS PROPRIETARY TO E-SWITCH AND IS NOT TO BE COPIED OR TRANSFERRED