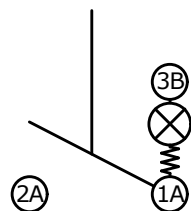


| PANEL THICKNESS | X |
|-----------------|------|
| 0.75-1.25 | 19.2 |
| 1.25-2.00 | 19.4 |
| 2.00-3.00 | 19.8 |

RECOMMENDED
PANEL CUT-OUT



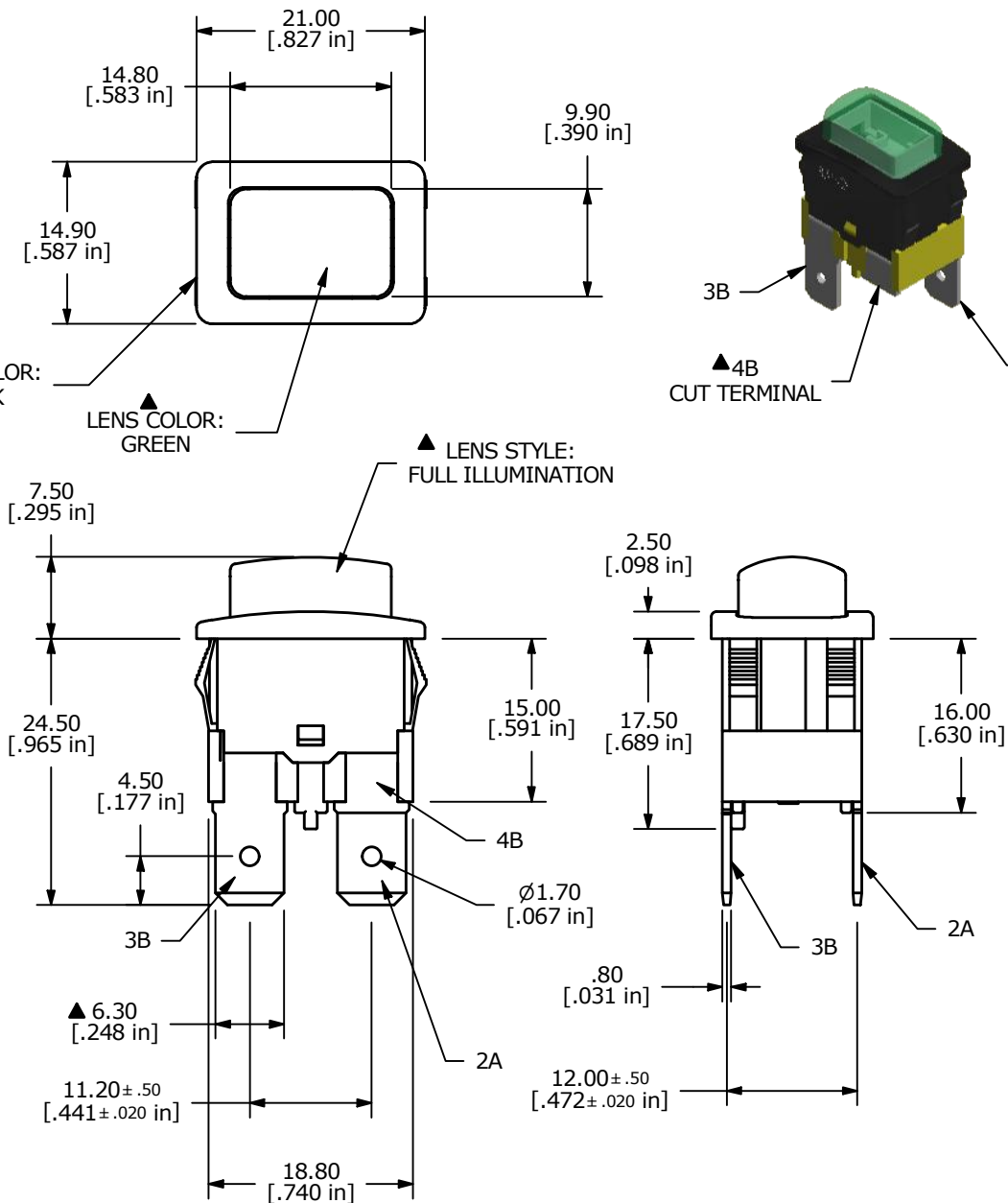
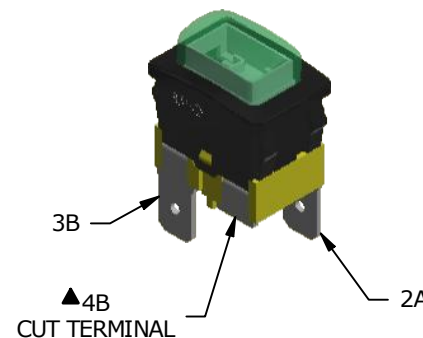
▲ OFF - (ON)
SPST
() Denotes Momentary
Function

SCHMATIC

▲ BODY COLOR:
BLACK

▲ LENS COLOR:
GREEN

▲ LENS STYLE:
FULL ILLUMINATION



NOTES:

1. ALL DIMENSIONS IN MM [INCH]
2. GENERAL TOLERANCE: X.X=± 0.4
X.XX=± 0.25
3. ELECTRICAL LIFE: 6,000 [cURus]
4. CONTACT RESISTANCE: 20 mΩ MAX. INITIAL
5. INSULATION RESISTANCE: 100 MΩ AT 500VDC
6. OPERATING TEMPERATURE: -20°C TO +65°C [cURus]
7. CONTACT RATING: 16A, 125VAC-250VAC, [cURus]
8. DIELECTRIC STRENGTH: 1000V FOR 1 MINUTE
9. ILLUMINATION VOLTAGE: 125V
10. TERMINALS TO BE SILVER PLATED
11. ▲ DENOTES CRITICAL PARAMETER

| REV | ECO NO | DESCRIPTION | DATE | BY |
|-----|------------|-----------------------|----------|----|
| C | ECO-100485 | REMOVE VDE FROM NOTES | 12/13/21 | JS |



OBJECT ID
000000220

| | | | | | | |
|-------------------------|--|--------------|------------------|----------|-------------------------|----------|
| TITLE PA464C1000-136 | | SCALE 2:1 | DATE 8/8/2014 | DR RC | DWG 14-PA464C1000136 | REV C |
|-------------------------|--|--------------|------------------|----------|-------------------------|----------|