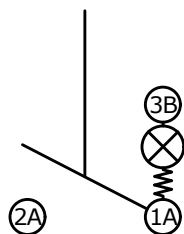


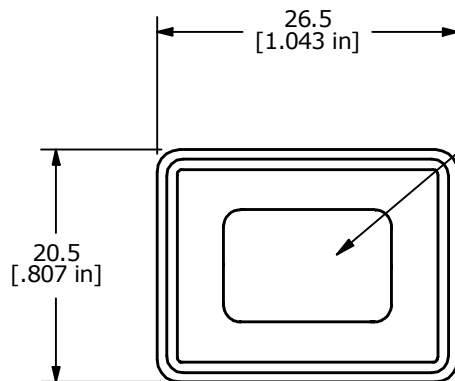
PANEL THICKNESS	X
0.75-1.25	19.2
1.25-2.00	19.4
2.00-3.00	19.8

RECOMMENDED PANEL CUT-OUT

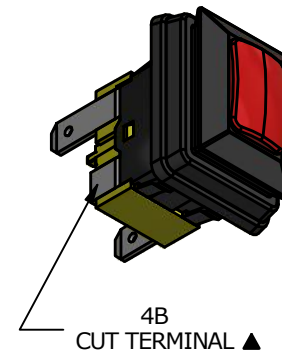


▲ SPST  
OFF - ON

SCHEMATIC



▲ BUTTON COLOR:  
RED



4B  
CUT TERMINAL ▲

▲ RUBBER COLOR  
BLACK

10.40  
[.409 in]

15.00  
[.591 in]

23.50  
[.925 in]

4.80  
[.189 in]

11.20  
[.441 in]

18.80  
[.740 in]

10.00  
[.394 in]

16.00  
[.630 in]

17.50  
[.689 in]

12.00 ± .50  
[.472 ± .020 in]

Ø1.40  
[.055 in]

.80  
[.031 in]

▲ BODY COLOR:  
BLACK

NOTES:

1. ALL DIMENSIONS IN MM [INCH]
2. GENERAL TOLERANCE: X.X ± 0.4  
X.XX ± 0.25
3. ELECTRICAL LIFE: 6,000 [cURus]
4. CONTACT RESISTANCE: 20 mΩ MAX. INITIAL
5. INSULATION RESISTANCE: 100 MΩ AT 500VDC
6. OPERATING TEMPERATURE: -20°C TO +65°C [cURus]
7. CONTACT RATING: 16A, 125VAC-250VAC, [cURus]
8. DIELECTRIC STRENGTH: 1000V FOR 1 MINUTE
9. ILLUMINATION VOLTAGE: NONE
10. ▲ DENOTES CRITICAL PARAMETER

REV	ECO NO	DESCRIPTION	DATE	BY
B	ECO-100693	REMOVE VDE/ENEC RATING AND LOGO	01/27/22	JS



OBJECT ID  
000000231

TITLE PA4R11C1900		SCALE 2:1	DATE 8/13/2014	DR RC	DWG 14-PA4R11C1900	REV B
----------------------	--	--------------	-------------------	----------	-----------------------	----------