



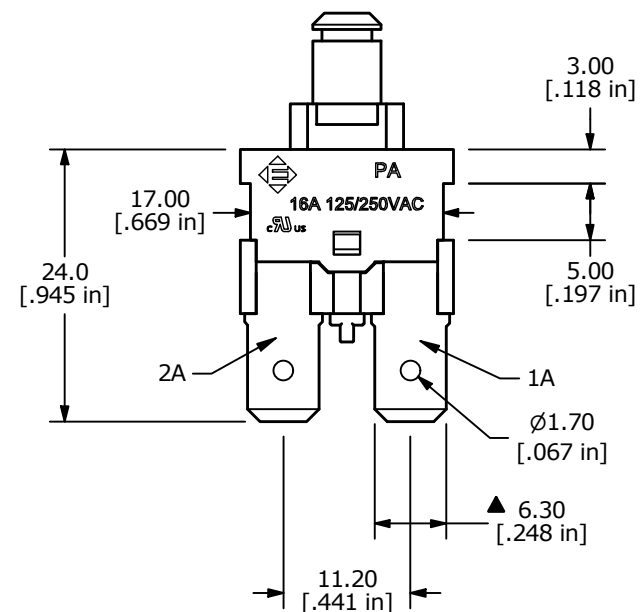
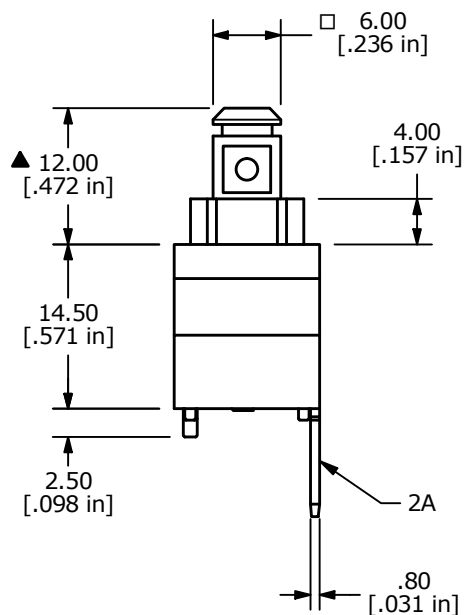
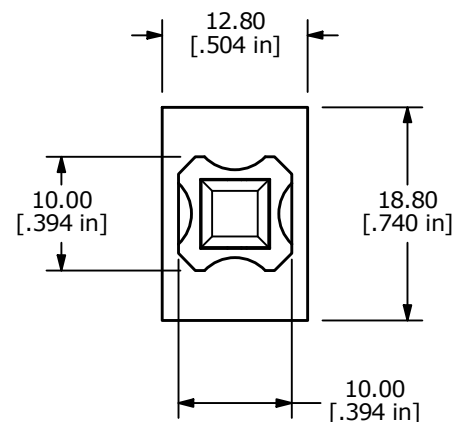
1A O O2A

SPST

OFF - (ON)

() = Momentary Function

▲ SCHEMATIC



NOTES:

1. ALL DIMENSIONS IN MM [INCH]
2. GENERAL TOLERANCE: X.X = ± 0.4
X.XX = ± 0.25
3. ELECTRICAL LIFE: 6,000 [cURus]
4. CONTACT RESISTANCE: 20 mΩ MAX. INITIAL
5. INSULATION RESISTANCE: 100 MΩ AT 500VDC
6. OPERATING TEMPERATURE: -20°C TO +65°C
7. CONTACT RATING: 16A, 125VAC-250VAC, [cURus]
8. DIELECTRIC STRENGTH: 1000V FOR 1 MINUTE
9. ACTUATION FORCE: 500 ± 200 gf
10. TRAVEL: FULL TRAVEL: 5.0mm
11. ▲ DENOTES CRITICAL PARAMETER

REV	ECO NO	DESCRIPTION	DATE	BY
D	ECO-100661	update rating	01/10/22	MW



OBJECT ID
000000267

TITLE PA564J				
SCALE	DATE	DR	DWG	REV
3:2	7/25/2014	rc	14-PA564J	D