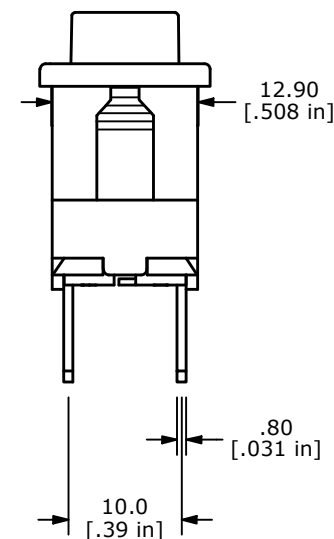
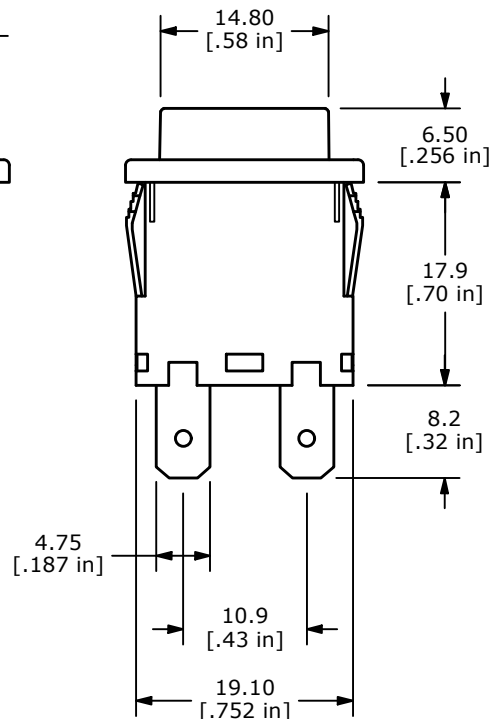
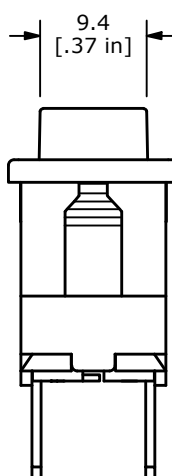
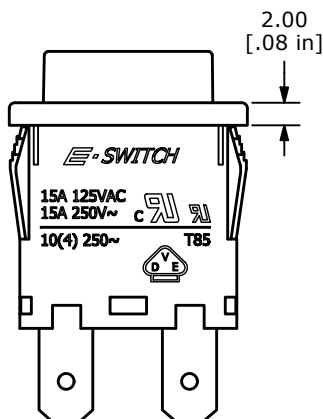
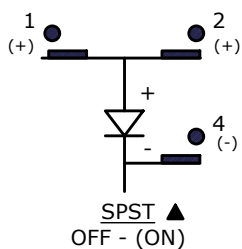
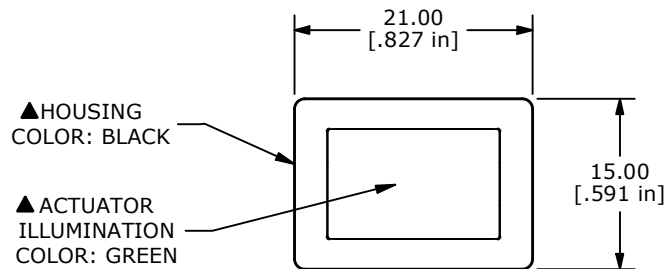


PANEL THICKNESS	X ± 0.05mm
0.75-1.25mm	19.15mm
1.25-2.00mm	19.35mm
2.00-3.00mm	19.55mm

SWITCH FUNCTION	
POS. 1	POS. 2
OFF	(ON)
OPEN	1-2, 4

(ON) = MOMENTARY



NOTES:

- ALL DIMENSIONS IN MM [INCH]
- GENERAL TOLERANCE: X.X ± 0.4  
X.XX ± 0.25
- MECHANICAL LIFE: 30,000
- ELECTRICAL LIFE: 10,000
- CONTACT RESISTANCE: 20 mILLI OHMS
- INSULATION RESISTANCE: 1000 MEGA OHMS
- OPERATING TEMPERATURE: -10°C TO 55°C
- CONTACT RATING: 15A-250 VAC, 125VAC UL APPROVED  
10A 250VAC, VDE APPROVED
- DIELECTRIC STRENGTH: 1500V FOR 1 MIN
- ▲ 10. LAMP: LED, 12VDC
- ▲ DENOTES CRITICAL PARAMETER
- OPERATING FORCE: 1000±100grams

REV	ECO NO	DESCRIPTION	DATE	BY
E	ECO-103805	LAMP TO LED	12/15/25	JS



OBJECT ID  
000016526

TITLE PB1973DBLKGILEF3				
SCALE	DATE	DR	DWG	REV
3:2	9/27/2007	BF	M197304	E