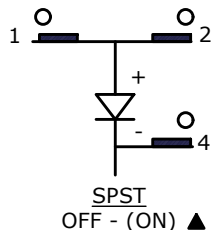


RECOMMENDED PANEL MOUNTING

PANEL THICKNESS	X
0.75-1.25	19.2
1.25-2.00	19.4
2.00-3.00	19.6

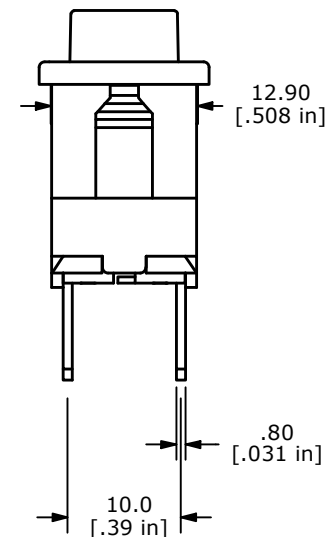
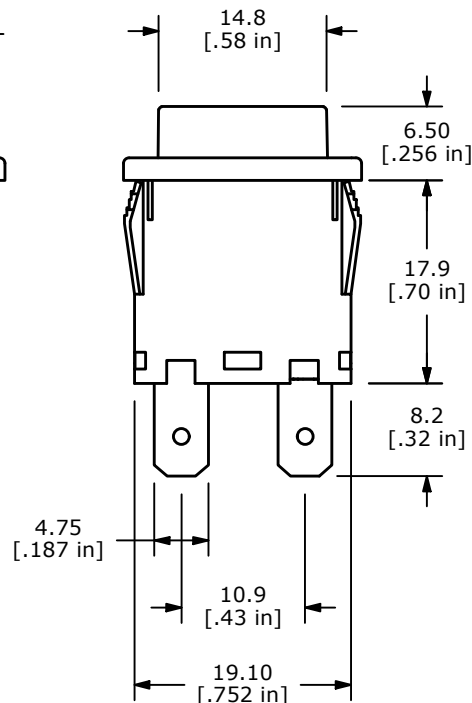
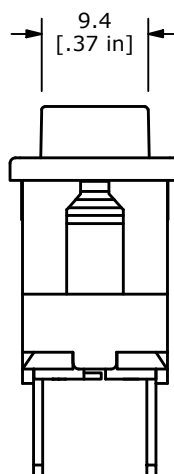
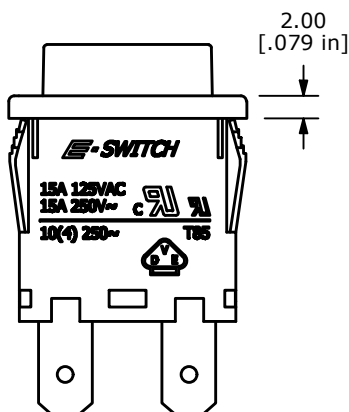
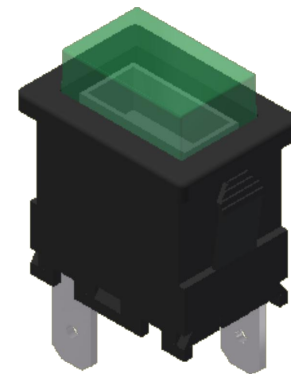
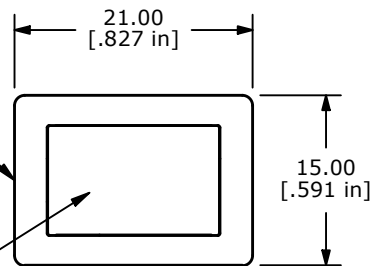


SWITCH FUNCTION	
POS. 1	POS. 2
OFF	ON
OPEN	(1-2)

(ON) = MOMENTARY

▲ HOUSING COLOR: BLACK

▲ ACTUATOR ILLUMINATION COLOR: GREEN



NOTES:

- ALL DIMENSIONS IN MM [INCH]
- GENERAL TOLERANCE: X.X=± 0.4
X.XX=± 0.25
- MECHANICAL LIFE: 30,000
- ELECTRICAL LIFE: 10,000
- CONTACT RESISTANCE: 20 mILLI OHMS
- INSULATION RESISTANCE: 1000 MEGA OHMS
- OPERATING TEMPERATURE: -10°C TO 55°C
- CONTACT RATING: 15A-250 VAC, 125VAC UL APPROVED
10A 250VAC, VDE APPROVED
- DIELECTRIC STRENGTH: 1500V FOR 1 MIN
- LAMP: LED, 24VDC
- ▲ DENOTES CRITICAL PARAMETER
- OPERATING FORCE: 750±100grams

REV	ECO NO	DESCRIPTION	DATE	BY
C	ECO-103805	LAMP TO LED	12/15/25	JS



OBJECT ID
000016530

TITLE PB1973DBLKGILEF4				
SCALE 3:2	DATE 9/27/2007	DR BF	DWG M197308	REV C

THE INFORMATION CONTAINED IN THIS DOCUMENT IS PROPRIETARY TO E-SWITCH AND IS NOT TO BE COPIED OR TRANSFERRED