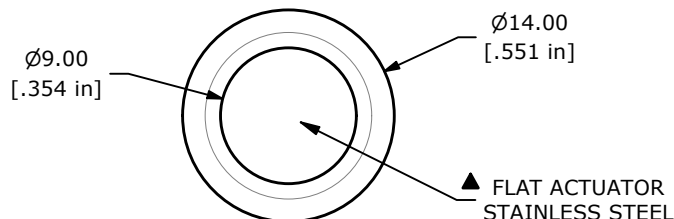
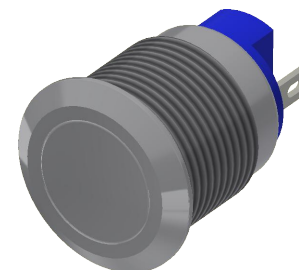


RECOMMENDED  
PANEL CUT-OUT  
1-6mm THICKNESS



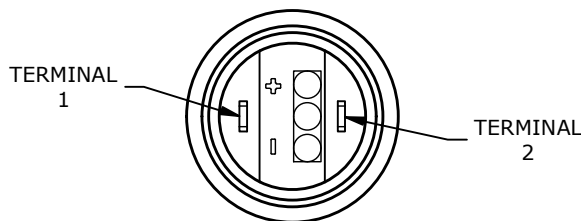
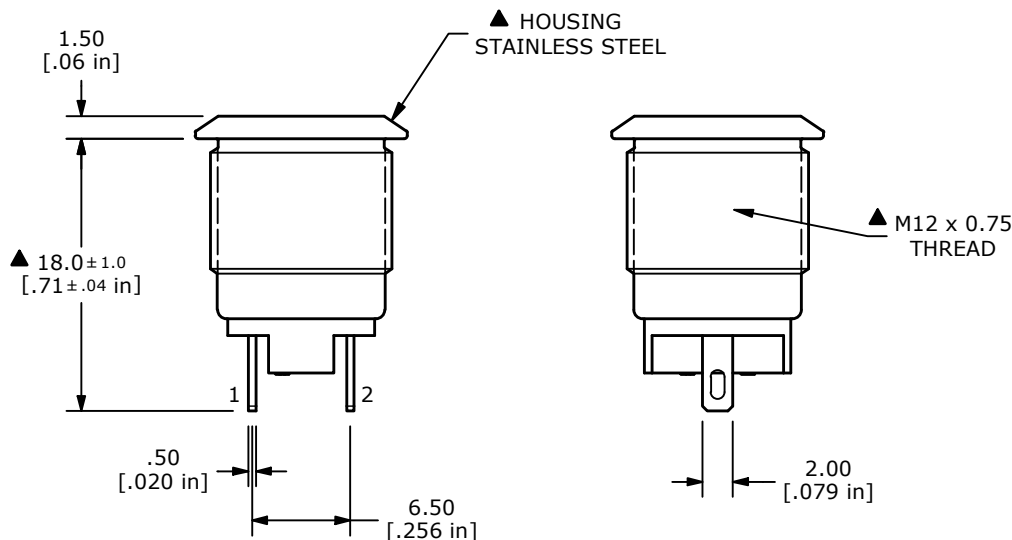
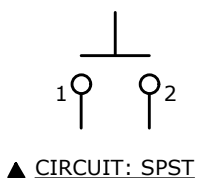
▲ FLAT ACTUATOR  
STAINLESS STEEL



▲ SWITCH FUNCTION

POS. 1	POS. 2
OFF	(ON)
OPEN	1-2

(ON) = MOMENTARY



NOTE:

1. ALL DIMENSIONS IN MM [INCH]
2. GENERAL TOLERANCE: X.X = ± 0.4  
X.XX = ± 0.25
3. TERMINAL NUMBERS FOR REF. ONLY
4. RATING: 2A @ 36VDC
5. CONTACT RESISTANCE: 50mΩ MAX.
6. INSULATION RESISTANCE: 100MΩ @ 500VDC
7. DIELECTRIC STRENGTH: 1,500V, RMS 50Hz, 1 MINUTE
8. ELECTRICAL LIFE: 200,000 CYCLES
9. CONTACT MATERIAL: SILVER
10. OPERATING TEMPERATURE: -40°C to 85°C
11. INGRESS PROTECTION: IP67
12. LED VOLTAGE: NON-ILLUMINATED
13. ▲ DENOTES CRITICAL PARAMETER
14. ▲ HARDWARE INCLUDED: HEX NUT AND O-RING (NOT SHOWN)

REV	ECO NO	DESCRIPTION	DATE	BY					OBJECT ID
A	ECO-103020	Release	10/10/24	MW					TITLE PV0F240SS
<p>THE INFORMATION CONTAINED IN THIS DOCUMENT IS PROPRIETARY TO E-SWITCH AND IS NOT TO BE COPIED OR TRANSFERRED</p>					SCALE	DATE	DR	DWG	REV
					2:1	10/7/2024	MW	52-PV0F240SS	A