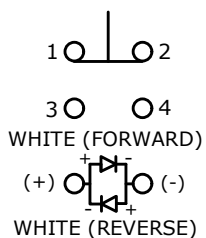
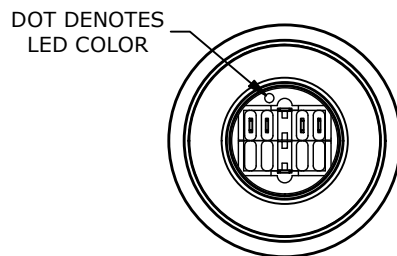
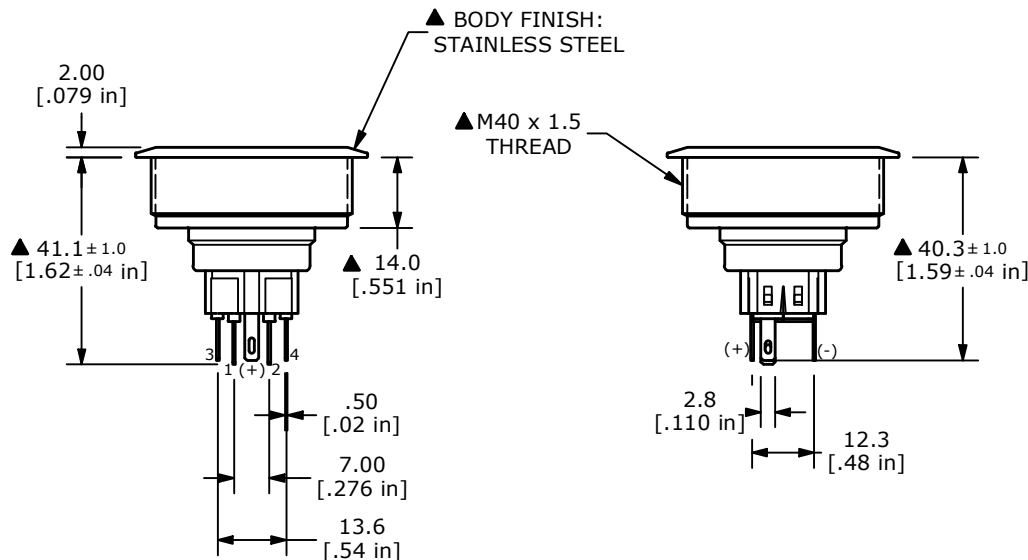


SWITCH FUNCTION	
POS. 1	POS. 2
1-2 ON 3-4 OFF	1-2 (OFF) 3-4 (ON)

() = MOMENTARY



▲ SPDT OFF-(ON) / ON-(OFF)
CONTACT CONFIGURATION
() DENOTES MOMENTARY FUNCTION



NOTE:

1. ALL DIMENSIONS IN MM [INCH]
2. GENERAL TOLERANCE: X.X = ± 0.4
X.XX = ± 0.25
3. TERMINAL NUMBERS FOR REF. ONLY
- ▲ 4. FUNCTION: SPDT
- ▲ 5. RATING: 2A @ 48VDC
6. CONTACT RESISTANCE: 50mΩ MAX. @ 1A 12VDC
7. INSULATION RESISTANCE: 1,000MΩ @ 500VDC
8. DIELECTRIC STRENGTH: 2,000VAC MIN. FOR 1 MINUTE
9. ELECTRICAL LIFE: 50,000 CYCLES
10. OPERATING TEMPERATURE: -20°C to 55°C
11. INGRESS PROTECTION: IP65
12. SUPPLIED HARDWARE: O-RING AND HEXNUT
13. ▲ DENOTES CRITICAL PARAMETER
- ▲ 14. ILLUMINATION VOLTAGE: 12V



B	24607	HOUSING UPDATE	11/23/20	JM
A	24396	NEW RELEASE	7/14/20	MW
REV	PCR NO	DESCRIPTION	DATE	BY

TITLE PV10F2Y0SS-304				
SCALE	DATE	DR	DWG	REV
2:3	7/14/2020	MW	52-PV10F2Y0SS304	B

THE INFORMATION CONTAINED IN THIS DOCUMENT IS PROPRIETARY TO E-SWITCH AND IS NOT TO BE COPIED OR TRANSFERRED