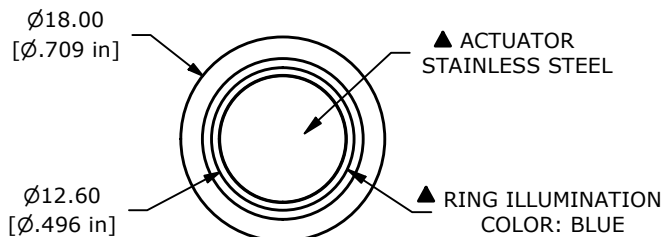
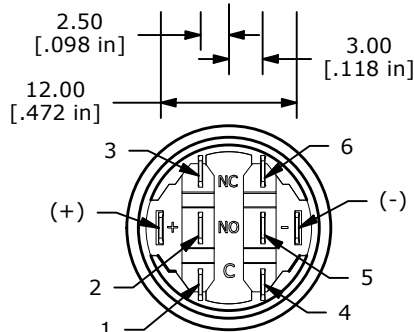
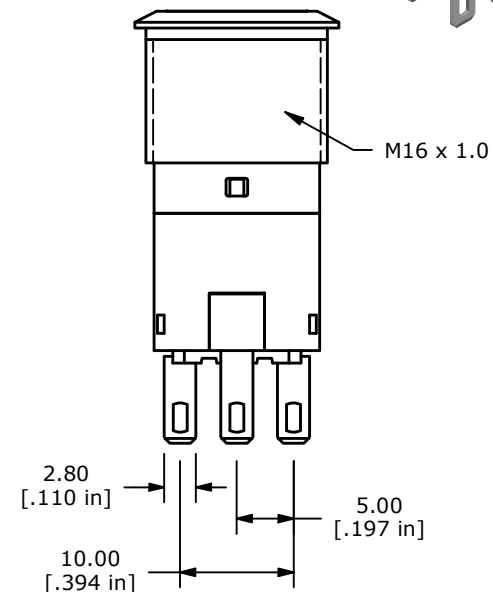
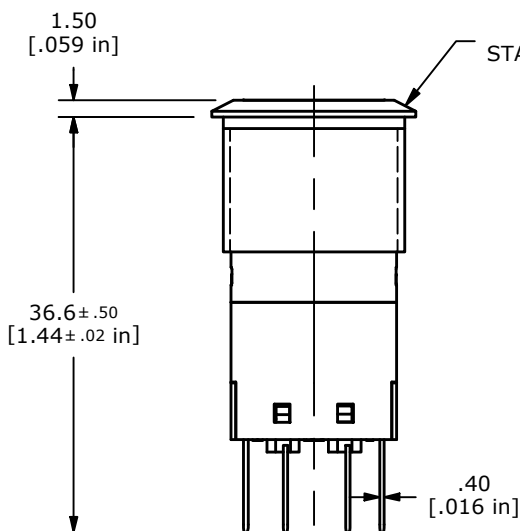
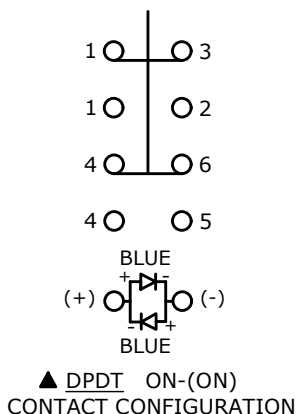


RECOMMENDED PANEL CUTOUT
MAX. PANEL THICKNESS 8mm



| SWITCH FUNCTION | |
|-----------------|----------|
| POS. 1 | POS. 2 |
| | |
| ON | (ON) |
| 1-3, 4-6 | 1-2, 4-5 |



- NOTE:
- ALL DIMENSIONS IN MM [INCH]
 - GENERAL TOLERANCE: X.X = ±0.4
X.XX = ±0.25
 - TERMINAL NUMBERS FOR REF ONLY
 - CONTACT MATERIAL: SILVER
 - RATING: 2A 24VDC
5A 220VAC
 - ELECTRIC LIFE: 50,000 MAKE-AND-BREAK CYCLES AT FULL LOAD.
 - INSULATION RESISTANCE: 1,000 MΩ MIN.
 - DIELECTRIC STRENGTH: 1,500 VAC MIN. FOR 1 MINUTE
 - CONTACT RESISTANCE: 50mΩ MAX. @ 1A 12VDC
 - OPERATING TEMP.: -40°C to 85°C
 - ▲ DENOTES CRITICAL PARAMETER.
 - HARDWARE SUPPLIED: O-RING AND HEXNUT
 - INGRESS RATING: IP67
 - LAMP VOLTAGE: 6V

| REV | ECO NO | DESCRIPTION | DATE | BY | E-SWITCH® | | | OBJECT ID | |
|--|------------|-----------------------|----------|----|----------------|-----------|----|------------------|-----|
| B | ECO-104122 | CORRECT TERMINAL BASE | 05/21/26 | JS | PV16F2H0SS-343 | | | 100130688 | |
| THE INFORMATION CONTAINED IN THIS DOCUMENT IS PROPRIETARY TO E-SWITCH AND IS NOT TO BE COPIED OR TRANSFERRED | | | | | SCALE | DATE | DR | DWG | REV |
| | | | | | 3:2 | 7/17/2025 | JS | 52-PV16F2H0SS343 | B |