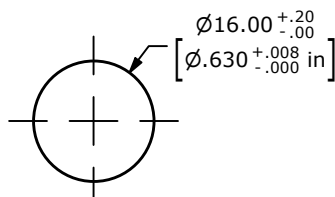
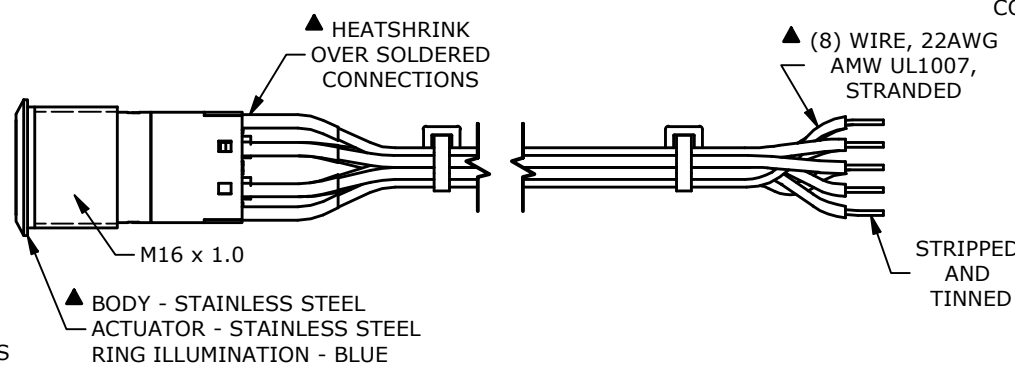
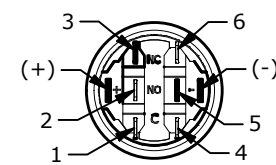
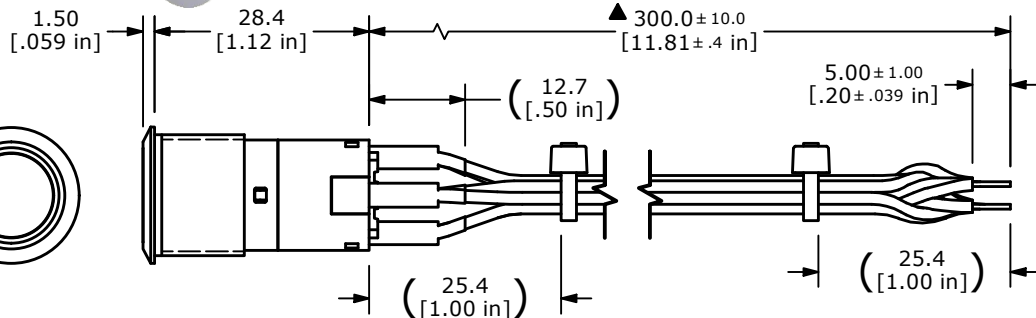
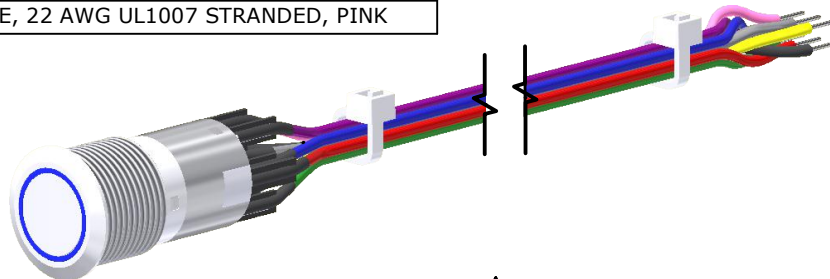


SWITCH	WIRE
SW1- (-)	WIRE, 22 AWG UL1007 STRANDED, BLACK
SW1- (+)	WIRE, 22 AWG UL1007 STRANDED, RED
SW1-1 (COM)	WIRE, 22 AWG UL1007 STRANDED, GREEN
SW1-2 (NO)	WIRE, 22 AWG UL1007 STRANDED, BLUE
SW1-3 (NC)	WIRE, 22 AWG UL1007 STRANDED, PURPLE
SW1-4 (COM)	WIRE, 22 AWG UL1007 STRANDED, YELLOW
SW1-5 (NO)	WIRE, 22 AWG UL1007 STRANDED, GRAY
SW1-6 (NC)	WIRE, 22 AWG UL1007 STRANDED, PINK

SCHEMATIC
 ON - (ON) - DPDT ILLUMINATED
 () DENOTES MOMENTARY FUNCTION



- NOTE:
1. ALL DIMENSIONS IN MM [INCH]
 2. GENERAL TOLERANCE: X.X = ±0.4
X.XX = ±0.25
 3. TERMINAL NUMBERS FOR REF ONLY
 - ▲ 4. CONTACT MATERIAL: SILVER
 5. RATING: 2A 24VDC / 5A 220VAC
 - ▲ 6. LAMP VOLTAGE: 6V
 7. INGRESS RATING: IP67
 8. ELECTRIC LIFE: 50,000 MAKE-AND-BREAK CYCLES AT FULL LOAD
 9. INSULATION RESISTANCE: 1,000 MΩ MIN.
 10. DIELECTRIC STRENGTH: 2,000 VAC MIN. FOR 1 MINUTE
 11. CONTACT RESISTANCE: 50mΩ MAX. @ 1A 12VDC
 12. OPERATING TEMP.: -40°C TO 85°C
 13. ▲ DENOTES CRITICAL PARAMETER.
 - ▲ 14. SUPPLIED HARDWARE: O-RING AND HEXNUT
 15. USE P/N's DESIGNATED OR ENGINEERING APPROVED EQUIVALENTS



REV	ECO NO	DESCRIPTION	DATE	BY	E-SWITCH®			OBJECT ID	
B	ECO-104122	CORRECT TERMINAL BASE	05/21/26	JS	TITLE PV16FWH0SS-343			100130940	
THE INFORMATION CONTAINED IN THIS DOCUMENT IS PROPRIETARY TO E-SWITCH AND IS NOT TO BE COPIED OR TRANSFERRED					SCALE	DATE	DR	DWG	REV
					1:1	8/27/2025	JS	52-PV16FWH0SS343	B