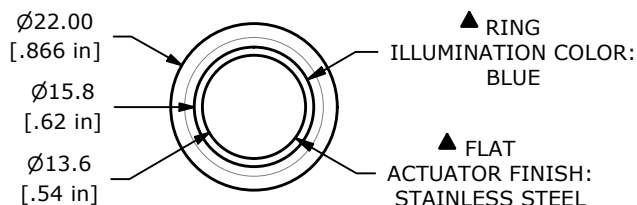
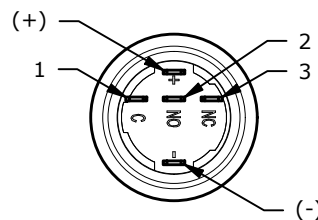
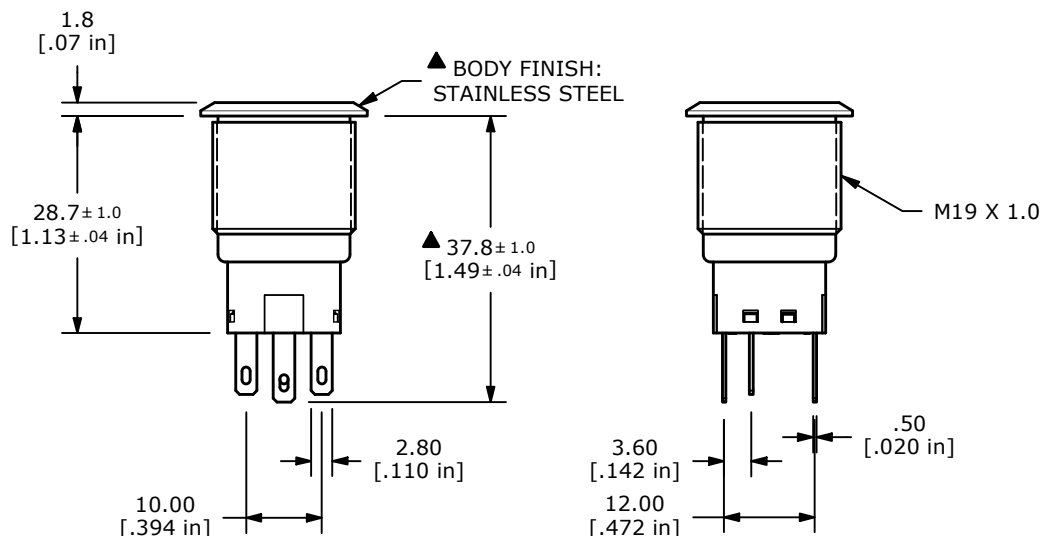
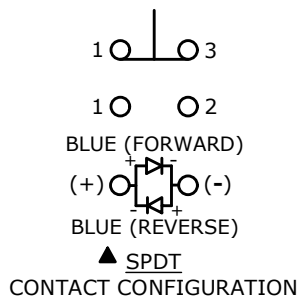




RECOMMENDED PANEL CUTOUT
MAX. PANEL THICKNESS
11.0 [.43 in]



SWITCH FUNCTION	
POS. 1	POS. 2
ON	ON
1-3	1-2



- NOTE:
1. ALL DIMENSIONS IN MM [INCH]
 2. GENERAL TOLERANCE: X.X = ±0.4
X.XX = ±0.25
 3. TERMINAL NUMBERS FOR REF ONLY
 4. CONTACT MATERIAL: SILVER
 5. RATING: 2A 24VDC
 6. ELECTRIC LIFE: 50,000 MAKE-AND-BREAK CYCLES AT FULL LOAD.
 7. INSULATION RESISTANCE: 1,000 MΩ MIN.
 8. DIELECTRIC STRENGTH: 2,000 VAC MIN. FOR 1 MINUTE
 9. CONTACT RESISTANCE: 50mΩ MAX. @ 1A 12VDC
 10. OPERATING TEMP.: -40°C TO 85°C
 11. TRAVEL: 2.8 [.11 in]
 12. ▲ DENOTES CRITICAL PARAMETER
 13. INGRESS PROTECTION: IP67
 14. HARDWARE SUPPLIED: O-RING AND HEXNUT
 15. ILLUMINATION VOLTAGE: 125V

REV	ECO NO	DESCRIPTION	DATE	BY					OBJECT ID
B	ECO-103865	PV4 SERIES UPDATE	01/14/26	MR	TITLE PV4F230SS-346				000002571
THE INFORMATION CONTAINED IN THIS DOCUMENT IS PROPRIETARY TO E-SWITCH AND IS NOT TO BE COPIED OR TRANSFERRED					SCALE	DATE	DR	DWG	REV
					1:1	10/23/2012	EBP	52-PV4F230SS346	B