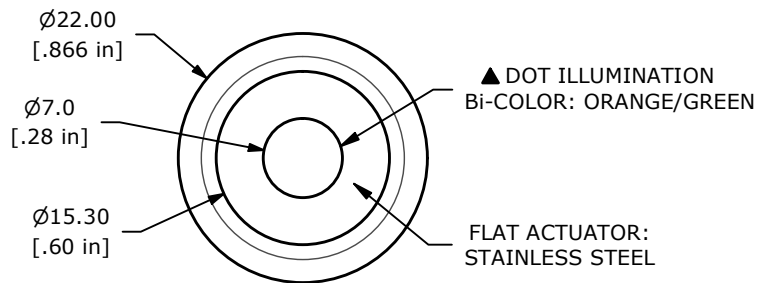
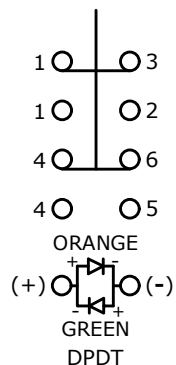


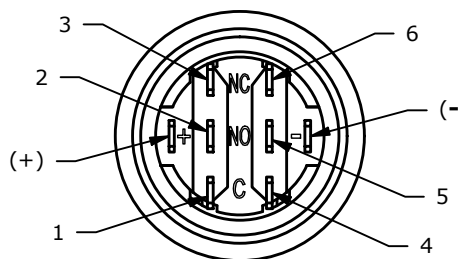
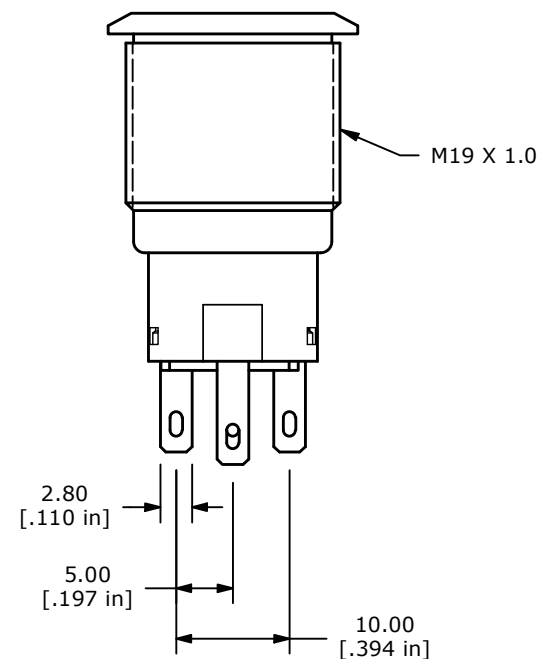
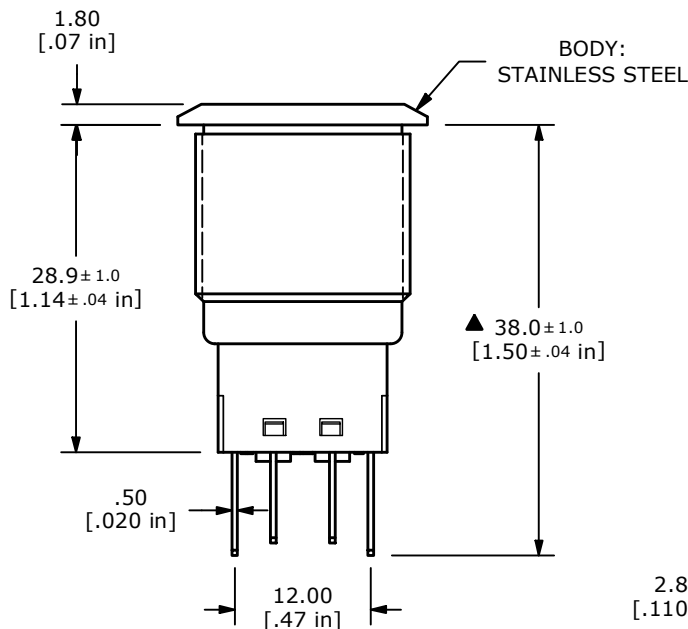
Recommended PANEL CUTOUT  
MAX. PANEL THICKNESS  
11.0mm [.43]



SWITCH FUNCTION	
POS. 1	POS. 2
ON	(ON)
1-3, 4-6	1-2, 4-5



▲ CONTACT CONFIGURATION



- NOTE:
- ALL DIMENSIONS IN MM [INCH]
  - GENERAL TOLERANCE: X.X = ±0.4  
X.XX = ±0.25
  - TERMINAL NUMBERS FOR REF ONLY
  - CONTACT MATERIAL: SILVER
  - RATING: 2A 24VDC
  - ELECTRIC LIFE: 50,000 MAKE-AND-BREAK CYCLES AT FULL LOAD.
  - INSULATION RESISTANCE: 1,000 MΩ MIN.
  - DIELECTRIC STRENGTH: 2,000 VAC MIN. FOR 1 MINUTE
  - CONTACT RESISTANCE: 50mΩ MAX. @ 1A 12VDC
  - OPERATING TEMP.: -20°C to 55°C
  - TRAVEL: 2.8mm
  - ▲ DENOTES CRITICAL PARAMETER.
  - INGRESS PROTECTION: IP65
  - ▲ HARDWARE SUPPLIED: O-RING AND HEXNUT
  - ▲ LAMP VOLTAGE: 24V

REV	ECO NO	DESCRIPTION	DATE	BY
A	ECO-102992	RELEASE	09/23/24	JS



OBJECT ID  
100128453

TITLE PV4F2H0SS-2K5				
SCALE 3:2	DATE 9/19/2024	DR JS	DWG 52-PV4F2H0SS2K5	REV A