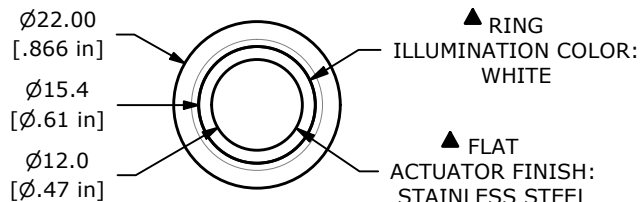


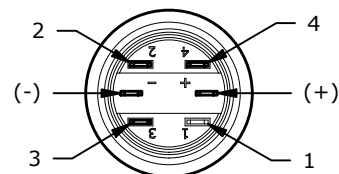
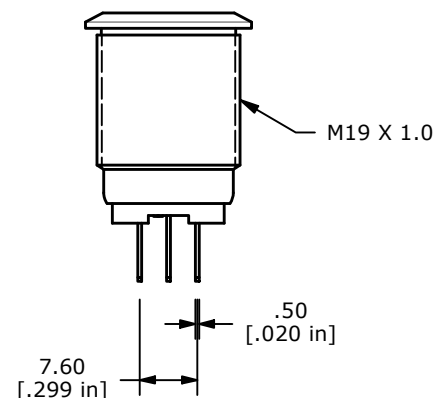
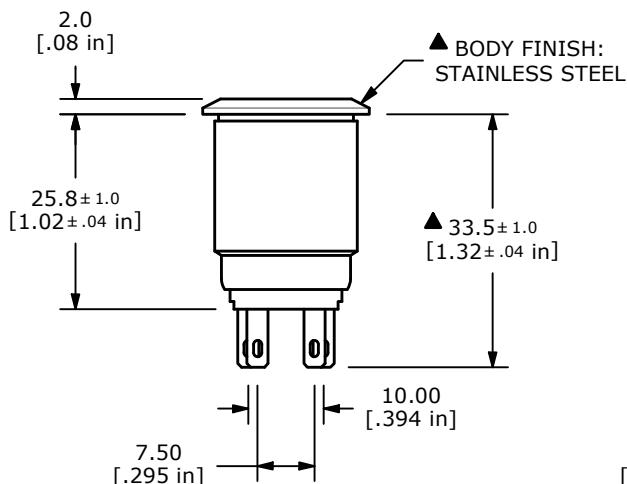
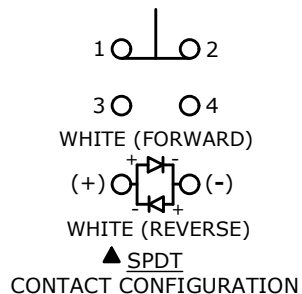
RECOMMENDED PANEL CUTOUT
MAX. PANEL THICKNESS
11.0 [.43 in]



▲ SWITCH FUNCTION

| POS. 1 | POS. 2 |
|-------------------|-----------------------|
| | |
| 1-2 ON 3-4 OFF | 1-2 (OFF) 3-4 (ON) |

() = MOMENTARY



- NOTE:
- ALL DIMENSIONS IN MM [INCH]
 - GENERAL TOLERANCE: X.X = ±0.4
X.XX = ±0.25
 - TERMINAL NUMBERS FOR REF ONLY
 - CONTACT MATERIAL: SILVER
 - RATING: 2A 24VDC
 - ELECTRIC LIFE: 50,000 MAKE-AND-BREAK CYCLES AT FULL LOAD.
 - INSULATION RESISTANCE: 1,000 MΩ MIN.
 - DIELECTRIC STRENGTH: 2,000 VAC MIN. FOR 1 MINUTE
 - CONTACT RESISTANCE: 50mΩ MAX. @ 1A 12VDC
 - OPERATING TEMP.: -40°C TO 85°C
 - TRAVEL: 2.8 [.11 in]
 - ▲ DENOTES CRITICAL PARAMETER
 - LAMP VOLTAGE: 2.8V
 - INGRESS PROTECTION: IP65
 - HARDWARE SUPPLIED: O-RING AND HEXNUT

| REV | ECO NO | DESCRIPTION | DATE | BY | E-SWITCH® | | | | OBJECT ID |
|--|------------|-------------------|----------|----|---------------------|-----------|----|-----------------|-----------|
| B | ECO-103877 | PV4 SERIES UPDATE | 01/13/26 | MR | TITLE PV4F2Y0SS-301 | | | | 000002694 |
| THE INFORMATION CONTAINED IN THIS DOCUMENT IS PROPRIETARY TO E-SWITCH AND IS NOT TO BE COPIED OR TRANSFERRED | | | | | SCALE | DATE | DR | DWG | REV |
| | | | | | 1:1 | 7/28/2015 | MW | 52-PV4F2Y0SS301 | B |