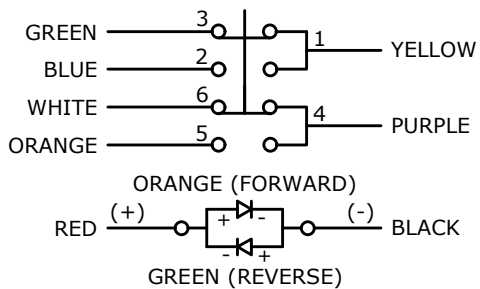
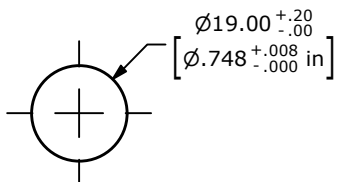


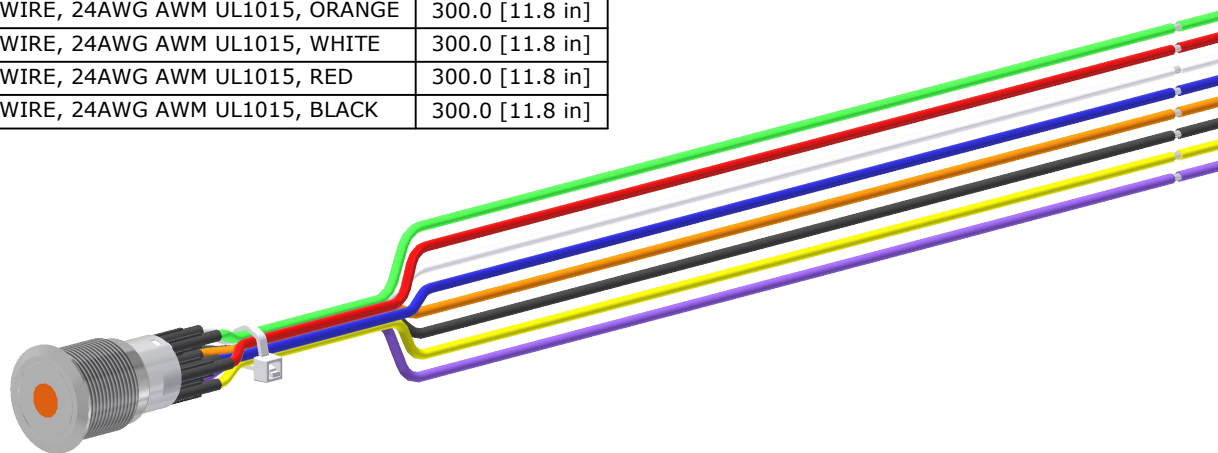
SWITCH	WIRE	LENGTH
SW1-1	WIRE, 24AWG AWM UL1015, YELLOW	300.0 [11.8 in]
SW1-2	WIRE, 24AWG AWM UL1015, BLUE	300.0 [11.8 in]
SW1-3	WIRE, 24AWG AWM UL1015, GREEN	300.0 [11.8 in]
SW1-4	WIRE, 24AWG AWM UL1015, PURPLE	300.0 [11.8 in]
SW1-5	WIRE, 24AWG AWM UL1015, ORANGE	300.0 [11.8 in]
SW1-6	WIRE, 24AWG AWM UL1015, WHITE	300.0 [11.8 in]
SW1- (+)	WIRE, 24AWG AWM UL1015, RED	300.0 [11.8 in]
SW1- (-)	WIRE, 24AWG AWM UL1015, BLACK	300.0 [11.8 in]



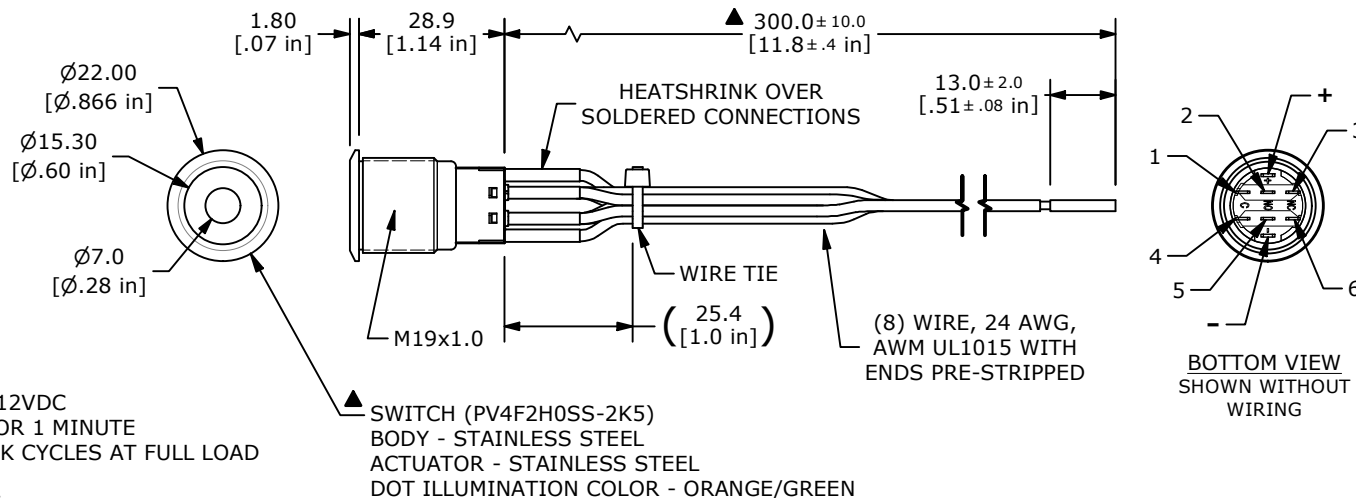
SCHEMATIC
 ON - (ON) - DPDT ILLUMINATED
 () DENOTES MOMENTARY FUNCTION



RECOMMENDED PANEL CUTOUT
 MAX. PANEL THICKNESS 11.0mm



- NOTES:**
- DIMENSIONS IN MM [INCH]
 - TERMINAL NUMBERS FOR REF. ONLY
 - CONTACT MATERIAL: SILVER
 - RATING: 2A 24VDC
 - LAMP VOLTAGE: 24V
 - INGRESS PROTECTION: IP65
 - TRAVEL: 2.8mm
 - OPERATING TEMP.: -20°C to 55°C
 - INSULATION RESISTANCE: 1,000MΩ MIN.
 - CONTACT RESISTANCE: 50mΩ MAX. @ 1A 12VDC
 - DIELECTRIC STRENGTH: 2,000 VAC MIN. FOR 1 MINUTE
 - ELECTRICAL LIFE: 50,000 MAKE-AND-BREAK CYCLES AT FULL LOAD
 - ▲ DENOTES CRITICAL PARAMETER.
 - ALL MATERIAL SHALL BE ROHS COMPLIANT
 - SUPPLIED HARDWARE: O-RING AND HEXNUT
 - USE P/N's DESIGNATED OR ENGINEERING APPROVED EQUIVALENTS



REV	ECO NO	DESCRIPTION	DATE	BY
A	ECO-103023	Release	10/10/24	MW



OBJECT ID
 100128570

TITLE PV4FWH0SS-2K5				
SCALE 2:3	DATE 10/9/2024	DR MW	DWG 52-PV4FWH0SS2K5	REV A