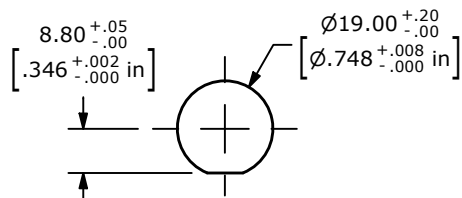
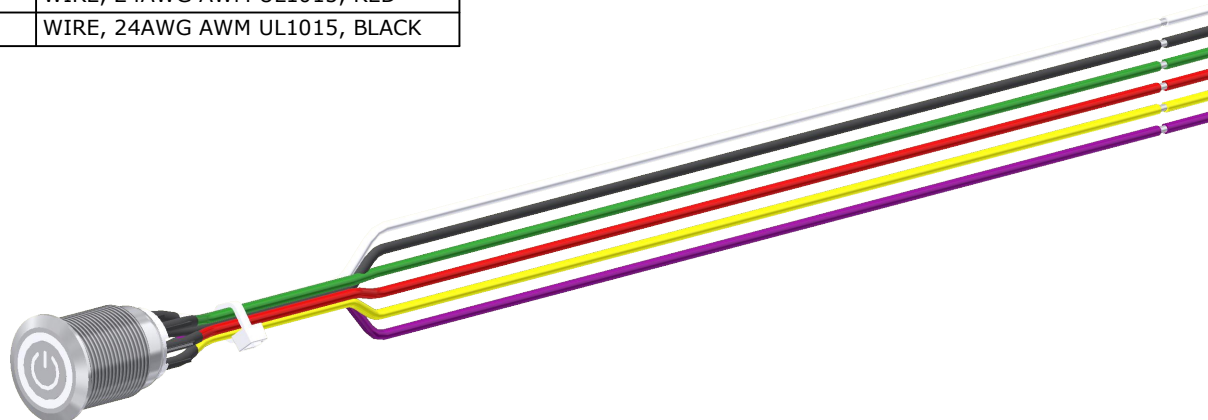
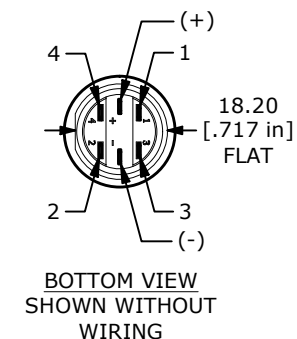
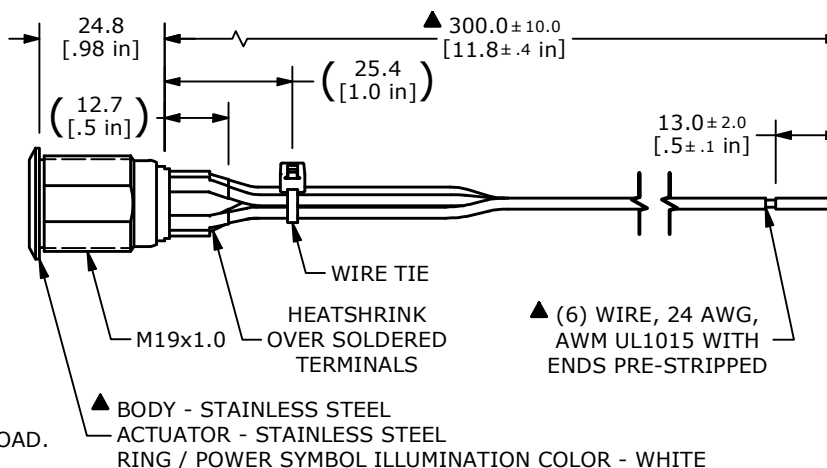


SCHEMATIC
 OFF - (ON) / ON - (OFF)
 SPDT ILLUMINATED
 () DENOTES MOMENTARY FUNCTION

SWITCH	WIRE
SW1-1	WIRE, 24AWG AWM UL1015, GREEN
SW1-2	WIRE, 24AWG AWM UL1015, PURPLE
SW1-3	WIRE, 24AWG AWM UL1015, WHITE
SW1-4	WIRE, 24AWG AWM UL1015, YELLOW
SW1- (+)	WIRE, 24AWG AWM UL1015, RED
SW1- (-)	WIRE, 24AWG AWM UL1015, BLACK



RECOMMENDED PANEL CUTOUT
 MAX. PANEL THICKNESS 11.0 [.43 in]



- NOTES:**
- DIMENSIONS IN MM [INCH]
 - GENERAL TOLERANCE: X.X = ±0.4
X.XX = ±0.25
 - ALL MATERIAL SHALL BE ROHS COMPLIANT
 - TERMINAL NUMBERS FOR REF. ONLY
 - CONTACT MATERIAL: SILVER
 - RATING: 2A 24VDC
 - LAMP VOLTAGE: 12V
 - INGRESS PROTECTION: IP65
 - TRAVEL: 2.8 [.11 in]
 - OPERATING TEMP.: -20°C TO 85°C
 - INSULATION RESISTANCE: 1,000 MΩ MIN.
 - CONTACT RESISTANCE: 50mΩ MAX. @ 1A 12VDC
 - DIELECTRIC STRENGTH: 2,000 VAC MIN. FOR 1 MINUTE
 - ELECTRIC LIFE: 50,000 MAKE-AND-BREAK CYCLES AT FULL LOAD.
 - ▲ DENOTES CRITICAL PARAMETER.
 - SUPPLIED HARDWARE: O-RING AND HEXNUT
 - ▲ USE PART NUMBERS DESIGNATED OR ENGINEERING APPROVED EQUIVALENTS.

REV	ECO NO	DESCRIPTION	DATE	BY	E-SWITCH®			OBJECT ID	
B	ECO-103811	PV4 SERIES UPDATE	01/14/26	MR	TITLE PV4FWY0SS-304-M26			000029114	
THE INFORMATION CONTAINED IN THIS DOCUMENT IS PROPRIETARY TO E-SWITCH AND IS NOT TO BE COPIED OR TRANSFERRED					SCALE	DATE	DR	DWG	REV
					2:3	3/29/2021	JM	52-PV4FWY0SS304M26	B