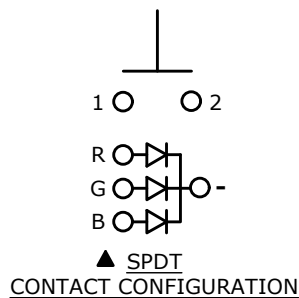


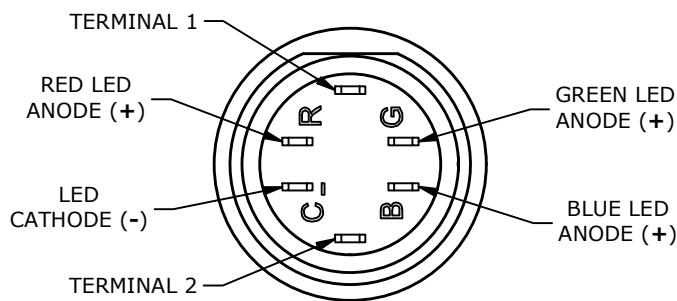
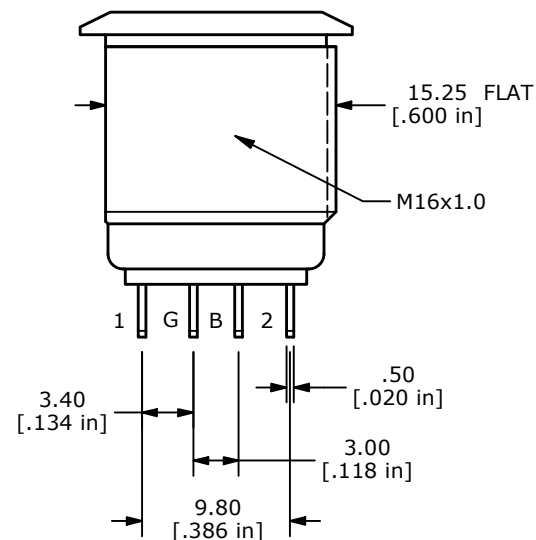
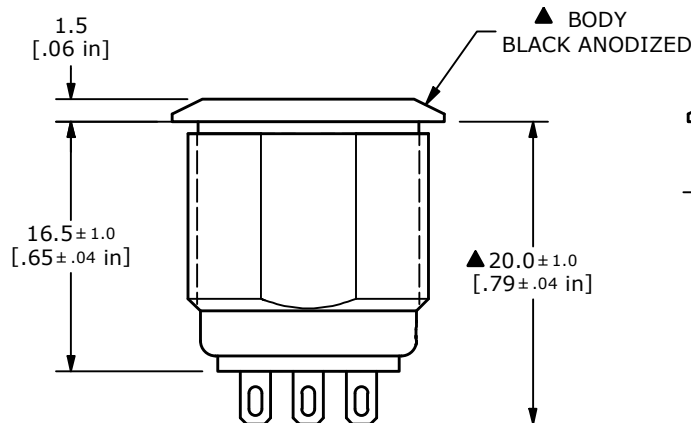
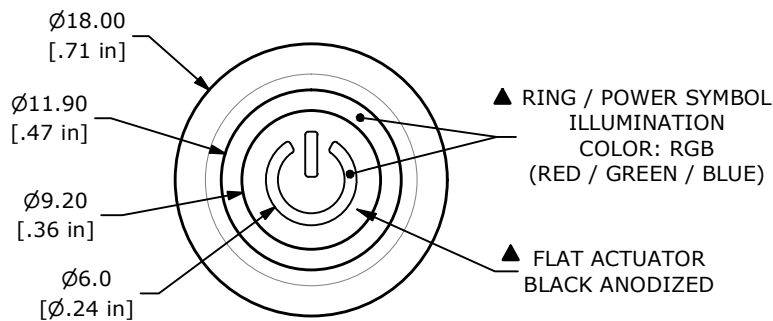
RECOMMENDED PANEL CUTOUT  
MAX. PANEL THICKNESS 10.0mm

SWITCH FUNCTION	
POS. 1	POS. 2
OFF	(ON)
OPEN	1-2

(ON) = MOMENTARY



- NOTE:
- ALL DIMENSIONS IN MM [INCH]
  - GENERAL TOLERANCE: X.X = ±0.4  
X.XX = ±0.25
  - TERMINAL NUMBERS FOR REF ONLY
  - CONTACT MATERIAL: SILVER PLATED
  - RATING: 2A 48VDC
  - ELECTRIC LIFE: 200,000 MAKE-AND-BREAK CYCLES AT FULL LOAD.
  - INSULATION RESISTANCE: 1,000 MΩ MIN.
  - DIELECTRIC STRENGTH: 2,000 VAC MIN. FOR 1 MINUTE
  - CONTACT RESISTANCE: 50mΩ MAX. @ 1A 12VDC
  - OPERATING TEMP.: -40°C to 85°C
  - TRAVEL: 1.8mm
  - ▲ DENOTES CRITICAL PARAMETER
  - ILLUMINATION BASE RATING @ 20mA:  
RED- 1.8V  
GREEN - 2.8V  
BLUE - 2.8V
  - INGRESS PROTECTION: IP65
  - HARDWARE SUPPLIED: O-RING AND HEXNUT (NOT SHOWN)



REV	ECO NO	DESCRIPTION	DATE	BY	E-SWITCH®			OBJECT ID	
B	ECO-103454	PRINT UPDATE	06/23/25	JS				000002833	
					TITLE PV6F24011-3R1-M15				
					SCALE 2:1	DATE 6/22/2018	DR MW	DWG 52-PV6F240113R1M15	REV B