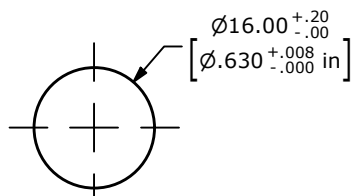
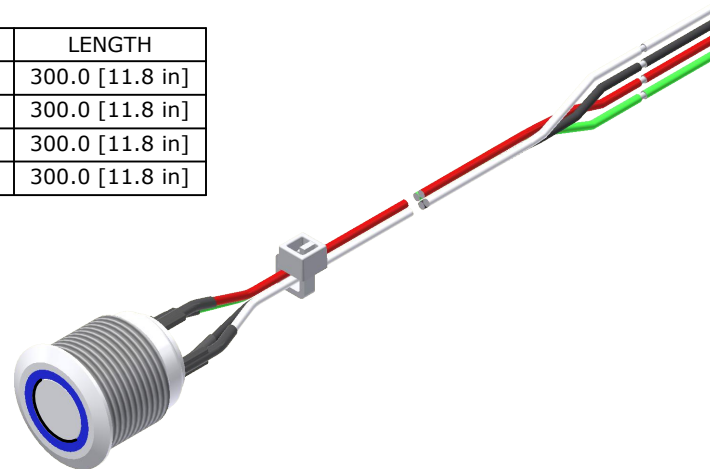


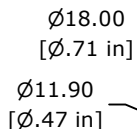
SCHEMATIC
OFF-(ON) - SPDT ILLUMINATED
() = MOMENTARY FUNCTION

SWITCH	WIRE	LENGTH
SW1-1	WIRE, 22AWG AWM UL1007, WHITE	300.0 [11.8 in]
SW1-2	WIRE, 22AWG AWM UL1007, GREEN	300.0 [11.8 in]
SW1- (+)	WIRE, 22AWG AWM UL1007, RED	300.0 [11.8 in]
SW1- (-)	WIRE, 22AWG AWM UL1007, BLACK	300.0 [11.8 in]



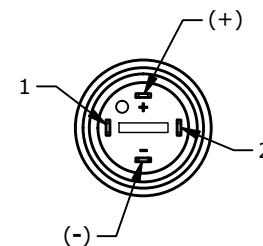
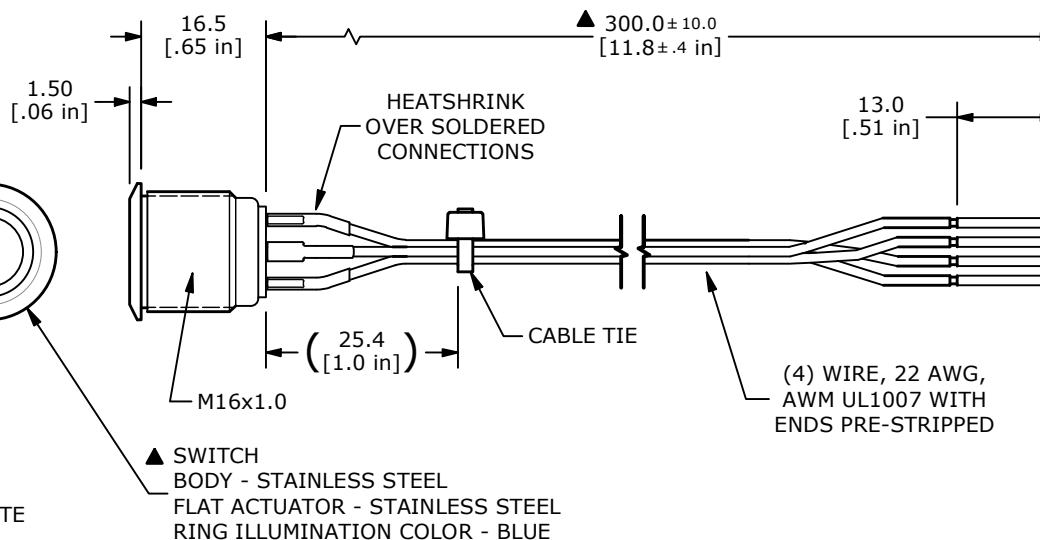
**RECOMMENDED
PANEL CUTOUT**

MAX. PANEL THICKNESS 10mm



NOTE:

1. ALL DIMENSIONS IN MM [INCH]
2. GENERAL TOLERANCE: X.X = ± 0.4
X.XX = ± 0.25
3. TERMINAL NUMBERS FOR REF ONLY
- ▲ 4. CONTACT MATERIAL: SILVER PLATED
5. RATING: 2A 48VDC
6. ELECTRIC LIFE: 50,000 MAKE-AND-BREAK CYCLES AT FULL LOAD.
7. INSULATION RESISTANCE: 1,000 M Ω MIN.
8. DIELECTRIC STRENGTH: 2,000 VAC MIN. FOR 1 MINUTE
9. CONTACT RESISTANCE: 50m Ω MAX. @ 1A 12VDC
10. OPERATING TEMP.: -40°C to 85°C
11. TRAVEL: 1.8mm
12. ▲ DENOTES CRITICAL PARAMETER.
13. ILLUMINATION BASE RATING: BLUE 20mA 2.8V
- ▲ 14. INGRESS PROTECTION: IP65
- ▲ 15. HARDWARE SUPPLIED: O-RING AND HEXNUT (NOT SHOWN)
16. USE P/N'S DESIGNATED OR ENGINEERING APPROVED EQUIVALENTS



REV	ECO NO	DESCRIPTION	DATE	BY
B	ECO-103500	PRINT UPDATE	07/14/25	JS



OBJECT ID
100119825

TITLE PV6FW40SS-341				
SCALE 1:1	DATE 10/18/2021	DR MW	DWG 52-PV6FW40SS341	REV B