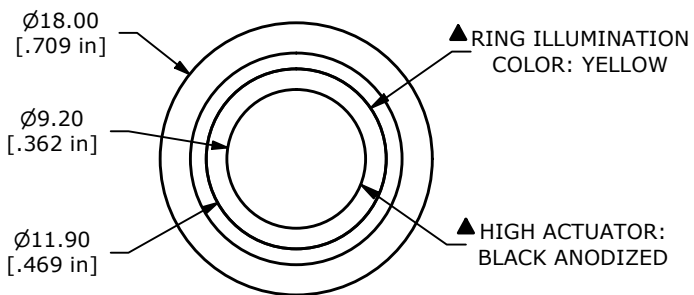


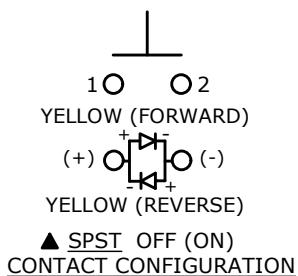
RECOMMENDED PANEL CUTOUT
 MAX. PANEL THICKNESS 10mm



▲ SWITCH FUNCTION

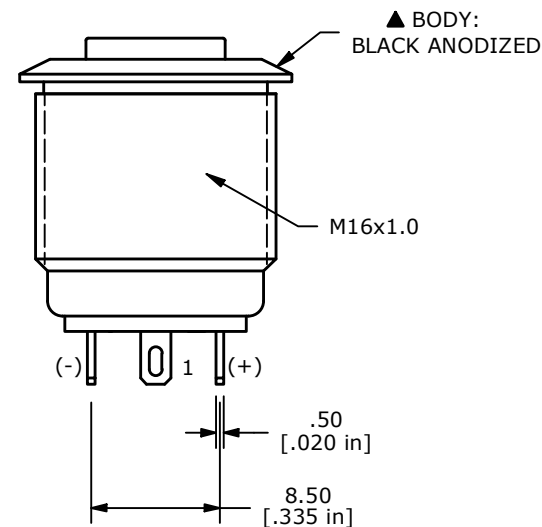
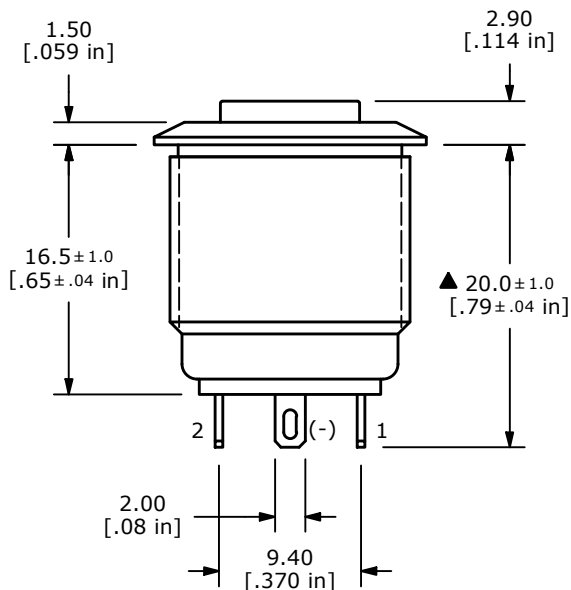
POS. 1	POS. 2
OFF	(ON)
OPEN	1-2

(ON) = MOMENTARY



NOTE:

1. ALL DIMENSIONS IN MM [INCH]
2. GENERAL TOLERANCE: X.X=±0.4
X.XX=±0.25
3. TERMINAL NUMBERS FOR REF ONLY
- ▲ 4. CONTACT MATERIAL: SILVER PLATED
5. RATING: 2A 48VDC
6. ELECTRIC LIFE: 50,000 MAKE-AND-BREAK CYCLES AT FULL LOAD.
7. INSULATION RESISTANCE: 1,000 MΩ MIN.
8. DIELECTRIC STRENGTH: 2,000 VAC MIN. FOR 1 MINUTE
9. CONTACT RESISTANCE: 50mΩ MAX. @ 1A 12VDC
10. OPERATING TEMP.: -40°C to 85°C
11. TRAVEL: 1.8mm
12. ▲ DENOTES CRITICAL PARAMETER.
- ▲ 13. ILLUMINATION VOLTAGE: 1.8V
14. INGRESS PROTECTION: IP65
- ▲ 15. HARDWARE SUPPLIED: O-RING AND HEXNUT (NOT SHOWN)



REV	ECO NO	DESCRIPTION	DATE	BY
B	ECO-103485	PRINT UPDATE	07/03/25	JS



OBJECT ID
000002908

TITLE PV6H24011-351		SCALE 2:1	DATE 11/17/2014	DR rc	DWG 52-PV6H24011351	REV B
------------------------	--	--------------	--------------------	----------	------------------------	----------