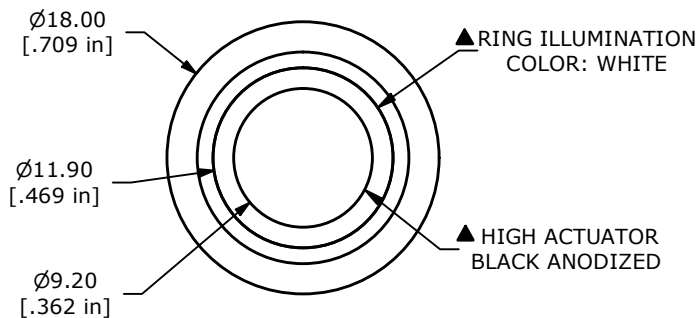
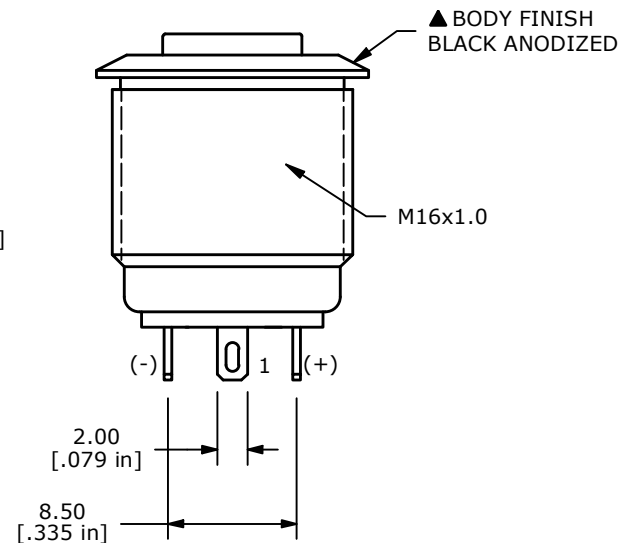
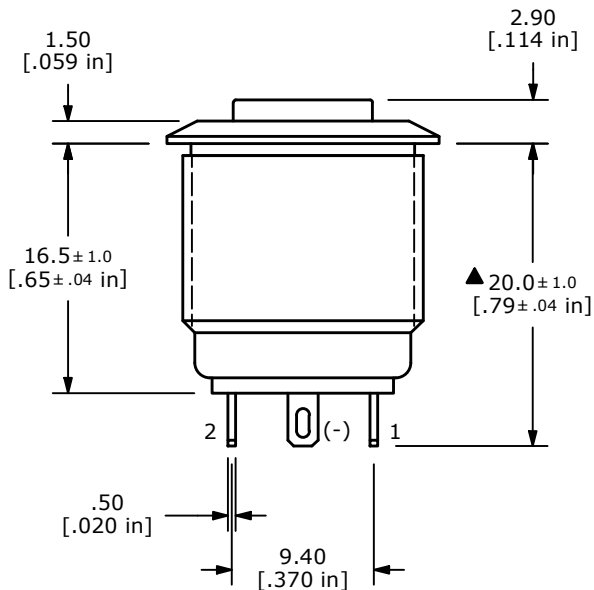
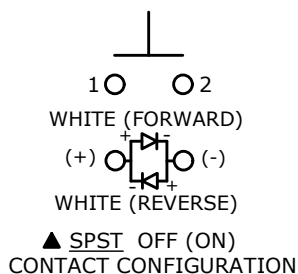


**RECOMMENDED PANEL CUTOUT**  
MAX. PANEL THICKNESS 10mm



| SWITCH FUNCTION |        |
|-----------------|--------|
| POS. 1          | POS. 2 |
|                 |        |
| OFF             | (ON)   |
| OPEN            | 1-2    |

(ON) = MOMENTARY



- NOTE:
- ALL DIMENSIONS IN MM [INCH]
  - GENERAL TOLERANCE: X.X=±0.4  
X.XX=±0.25
  - TERMINAL NUMBERS FOR REF ONLY
  - CONTACT MATERIAL: GOLD PLATED
  - RATING: 2A 48VDC
  - ELECTRIC LIFE: 50,000 MAKE-AND-BREAK CYCLES AT FULL LOAD.
  - INSULATION RESISTANCE: 1,000 MΩ MIN.
  - DIELECTRIC STRENGTH: 2,000 VAC MIN. FOR 1 MINUTE
  - CONTACT RESISTANCE: 50mΩ MAX. @ 1A 12VDC
  - OPERATING TEMP.: -40°C to 85°C
  - TRAVEL: 1.8mm
  - ▲ DENOTES CRITICAL PARAMETER.
  - ILLUMINATION BASE RATING: 20mA 2.8V
  - INGRESS PROTECTION: IP65
  - HARDWARE SUPPLIED: O-RING AND HEXNUT (NOT SHOWN)

| REV  | ECO NO     | DESCRIPTION  | DATE     | BY | E-SWITCH®            |           |     |                  | OBJECT ID |
|--|------------|--------------|----------|----|----------------------|-----------|-----|------------------|-----------|
| C  | ECO-103500 | PRINT UPDATE | 07/14/25 | JS | TITLE PV6H24011G-301 |           |     |                  | 000002912 |
| THE INFORMATION CONTAINED IN THIS DOCUMENT IS PROPRIETARY TO E-SWITCH AND IS NOT TO BE COPIED OR TRANSFERRED |            |              |          |    | SCALE                | DATE      | DR  | DWG              | REV       |
|  |            |              |          |    | 2:1                  | 2/24/2014 | EBP | 52-PV6H24011G301 | C         |