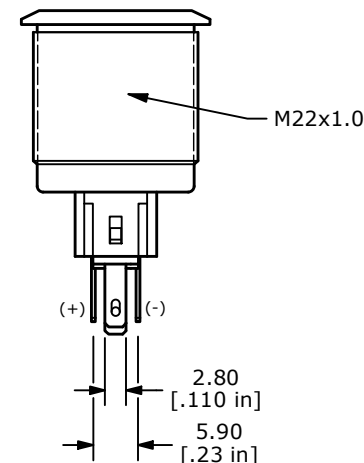
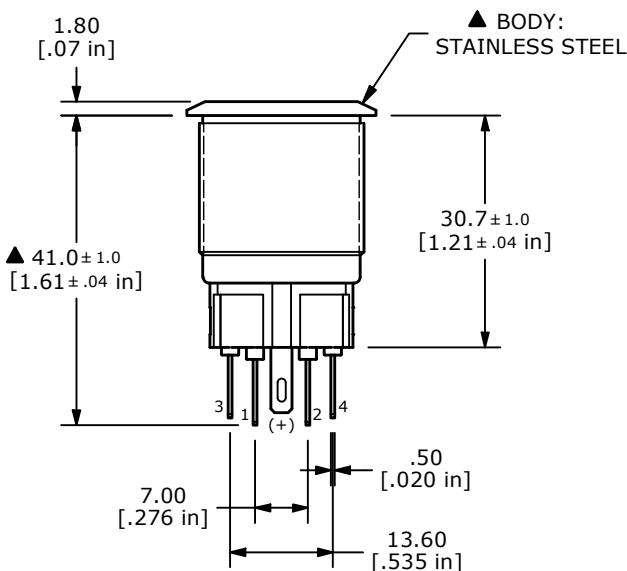
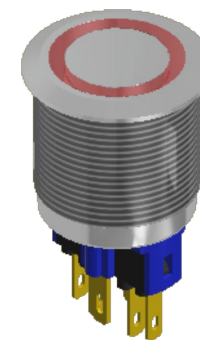
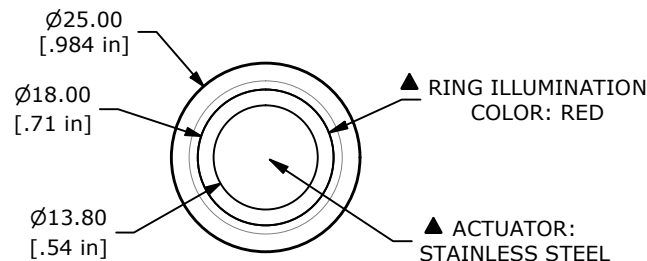
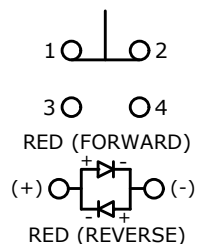


PANEL CUTOUT  
MAX. PANEL THICKNESS 12mm



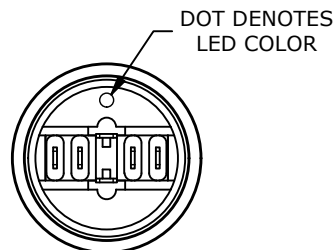
▲ SWITCH FUNCTION

POS. 1	POS. 2
1-2 ON	1-2 OFF
3-4 OFF	3-4 ON



▲ CONTACT CONFIGURATION  
SPDT ON-OFF / OFF-ON

- NOTE:
- ALL DIMENSIONS IN MM [INCH]
  - GENERAL TOLERANCE: X.X = ±0.4  
X.XX = ±0.25
  - TERMINAL NOS. FOR REF. ONLY
  - RATING: 2A @ 48VDC
  - CONTACT RESISTANCE: 50mΩ MAX. @ 1A 12VDC
  - INSULATION RESISTANCE: 1,000MΩ @ 500VDC
  - DIELECTRIC STRENGTH: 2,000VAC MIN. FOR 1 MINUTE
  - ELECTRICAL LIFE: 50,000 CYCLES
  - OPERATING TEMPERATURE: -35°C to 85°C
  - INGRESS PROTECTION: IP65
  - ▲ DENOTES CRITICAL PARAMETER
  - ▲ 12. ILLUMINATION VOLTAGE: 6V
  - ▲ 13. HARDWARE INCLUDED: HEX NUT AND O-RING (NOT SHOWN)



REV	ECO NO	DESCRIPTION	DATE	BY
B	ECO-103839	Print update	01/07/26	MW



OBJECT ID  
000002949

TITLE PV7F2T0SS-313				
SCALE 1:1	DATE 5/26/2011	DR CAB	DWG 52-PV7F2T0SS313	REV B