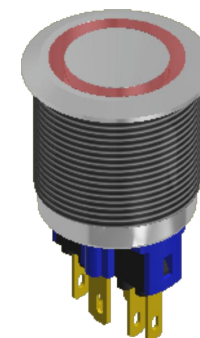
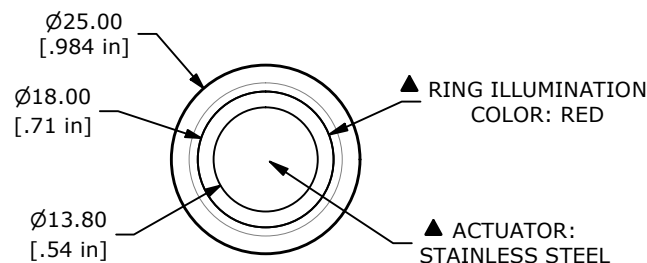
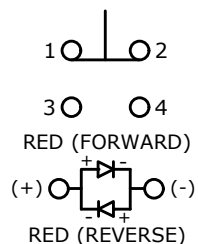


PANEL CUTOUT
MAX. PANEL THICKNESS 12mm

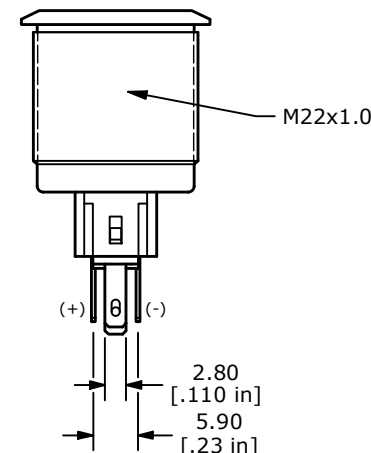
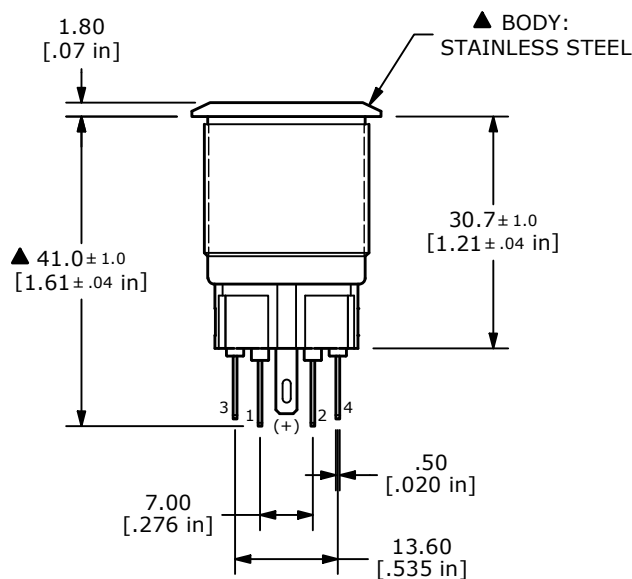


▲ SWITCH FUNCTION

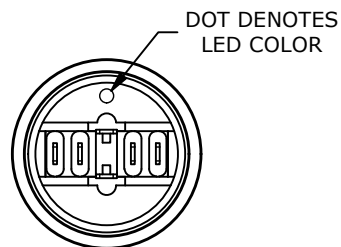
POS. 1	POS. 2
1-2 ON 3-4 OFF	1-2 OFF 3-4 ON



▲ CONTACT CONFIGURATION
SPDT ON-OFF / OFF-ON



- NOTE:
- ALL DIMENSIONS IN MM [INCH]
 - GENERAL TOLERANCE: X.X = ±0.4
X.XX = ±0.25
 - TERMINAL NOS. FOR REF. ONLY
 - RATING: 2A @ 48VDC
 - CONTACT RESISTANCE: 50mΩ MAX. @ 1A 12VDC
 - INSULATION RESISTANCE: 1,000MΩ @ 500VDC
 - DIELECTRIC STRENGTH: 2,000VAC MIN. FOR 1 MINUTE
 - ELECTRICAL LIFE: 50,000 CYCLES
 - OPERATING TEMPERATURE: -35°C to 85°C
 - INGRESS PROTECTION: IP65
 - ▲ DENOTES CRITICAL PARAMETER
 - ▲ 12. ILLUMINATION VOLTAGE: 12V
 - ▲ 13. HARDWARE INCLUDED: HEX NUT AND O-RING (NOT SHOWN)



REV	ECO NO	DESCRIPTION	DATE	BY
B	ECO-103834	print update	01/06/26	MW

			OBJECT ID 000002950
TITLE PV7F2T0SS-314			

SCALE 1:1	DATE 4/29/2013	DR EBP	DWG 52-PV7F2T0SS314	REV B
--------------	-------------------	-----------	------------------------	----------