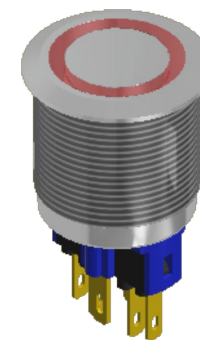
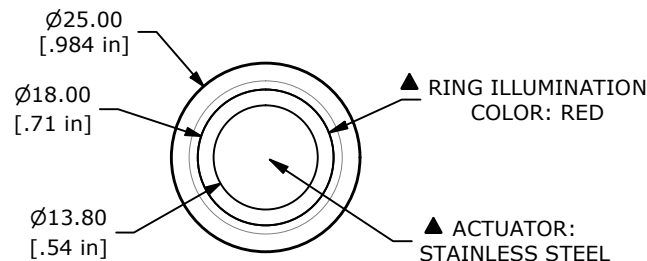
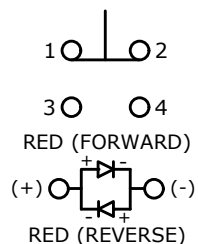


PANEL CUTOUT
MAX. PANEL THICKNESS 12mm

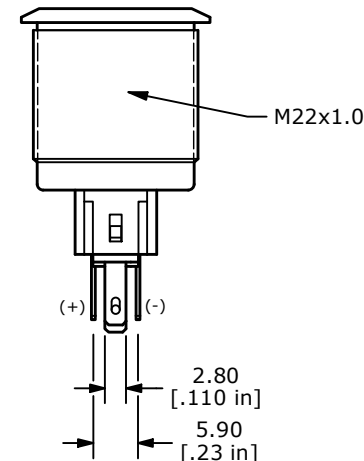
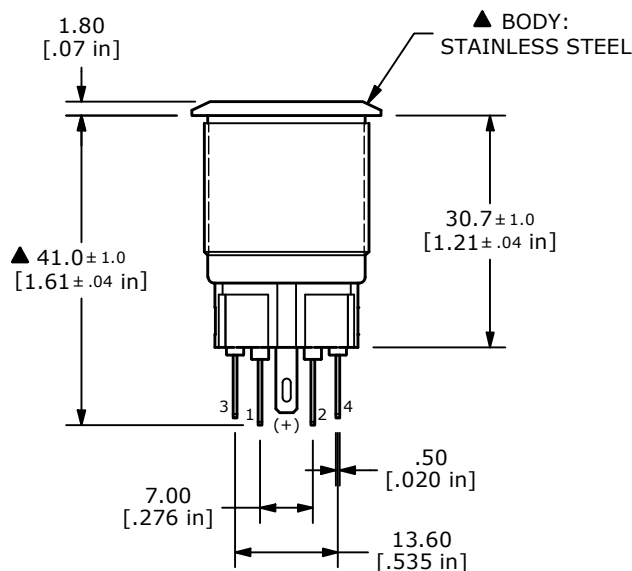


▲ SWITCH FUNCTION

POS. 1	POS. 2
1-2 ON 3-4 OFF	1-2 OFF 3-4 ON

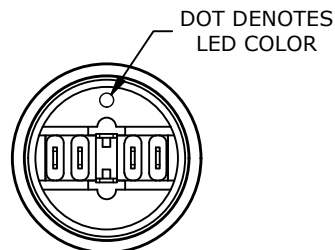


▲ CONTACT CONFIGURATION
SPDT ON-OFF / OFF-ON



NOTE:

- ALL DIMENSIONS IN MM [INCH]
- GENERAL TOLERANCE: X.X = ±0.4
X.XX = ±0.25
- TERMINAL NOS. FOR REF. ONLY
- RATING: 2A @ 48VDC
- CONTACT RESISTANCE: 50mΩ MAX. @ 1A 12VDC
- INSULATION RESISTANCE: 1,000MΩ @ 500VDC
- DIELECTRIC STRENGTH: 2,000VAC MIN. FOR 1 MINUTE
- ELECTRICAL LIFE: 50,000 CYCLES
- OPERATING TEMPERATURE: -35°C to 85°C
- INGRESS PROTECTION: IP65
- ▲ DENOTES CRITICAL PARAMETER
- ▲ ILLUMINATION VOLTAGE: 125V
- ▲ HARDWARE INCLUDED: HEX NUT AND O-RING (NOT SHOWN)



REV	ECO NO	DESCRIPTION	DATE	BY
B	ECO-103839	Print update	01/07/26	MW



OBJECT ID
000002952

TITLE PV7F2T0SS-316				
SCALE 1:1	DATE 2/23/2011	DR CAB	DWG 52-PV7F2T0SS316	REV B