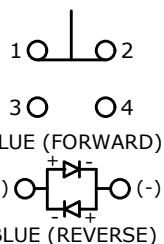
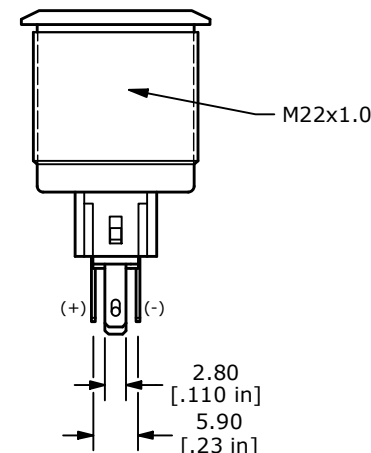
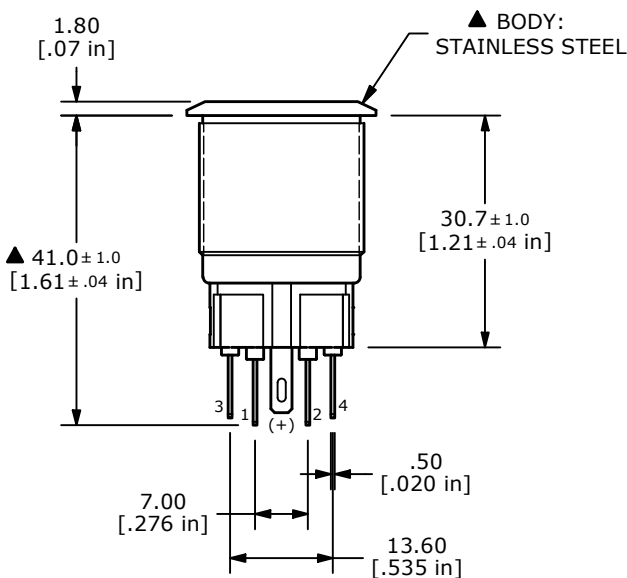
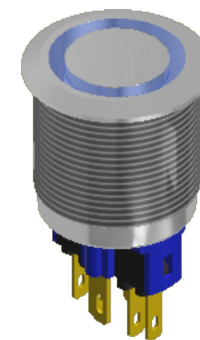
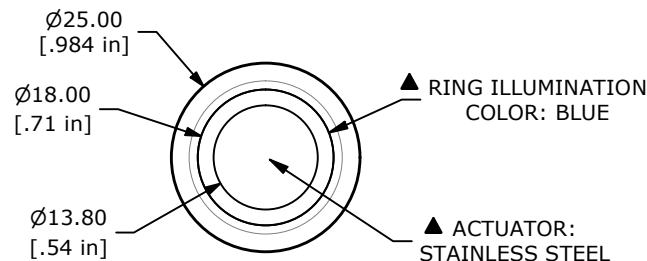


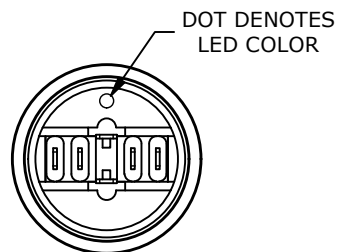
PANEL CUTOUT
MAX. PANEL THICKNESS 12mm



▲ CONTACT CONFIGURATION
SPDT ON-OFF / OFF-ON

SWITCH FUNCTION	
POS. 1	POS. 2
1-2 ON 3-4 OFF	1-2 OFF 3-4 ON

- NOTE:
1. ALL DIMENSIONS IN MM [INCH]
 2. GENERAL TOLERANCE: X.X = ±0.4
X.XX = ±0.25
 3. TERMINAL NOS. FOR REF. ONLY
 4. RATING: 2A @ 48VDC
 5. CONTACT RESISTANCE: 50mΩ MAX. @ 1A 12VDC
 6. INSULATION RESISTANCE: 1,000MΩ @ 500VDC
 7. DIELECTRIC STRENGTH: 2,000VAC MIN. FOR 1 MINUTE
 8. ELECTRICAL LIFE: 50,000 CYCLES
 9. OPERATING TEMPERATURE: -35°C to 85°C
 10. INGRESS PROTECTION: IP65
 11. ▲ DENOTES CRITICAL PARAMETER
 - ▲ 12. ILLUMINATION VOLTAGE: 24V
 - ▲ 13. HARDWARE INCLUDED: HEX NUT AND O-RING (NOT SHOWN)



REV	ECO NO	DESCRIPTION	DATE	BY
B	ECO-103837	Print update	01/06/26	MW



OBJECT ID
000002968

TITLE PV7F2T0SS-345				
SCALE 1:1	DATE 8/21/2012	DR RC	DWG 52-PV7F2T0SS345	REV B