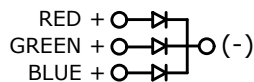
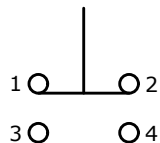


Recommended PANEL CUTOUT
MAX. PANEL THICKNESS 12mm

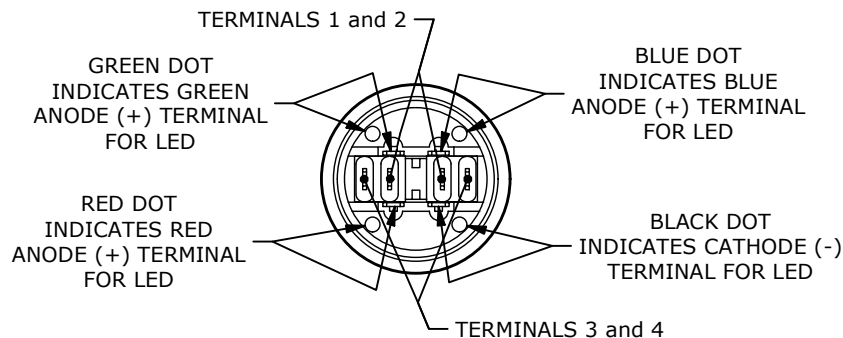
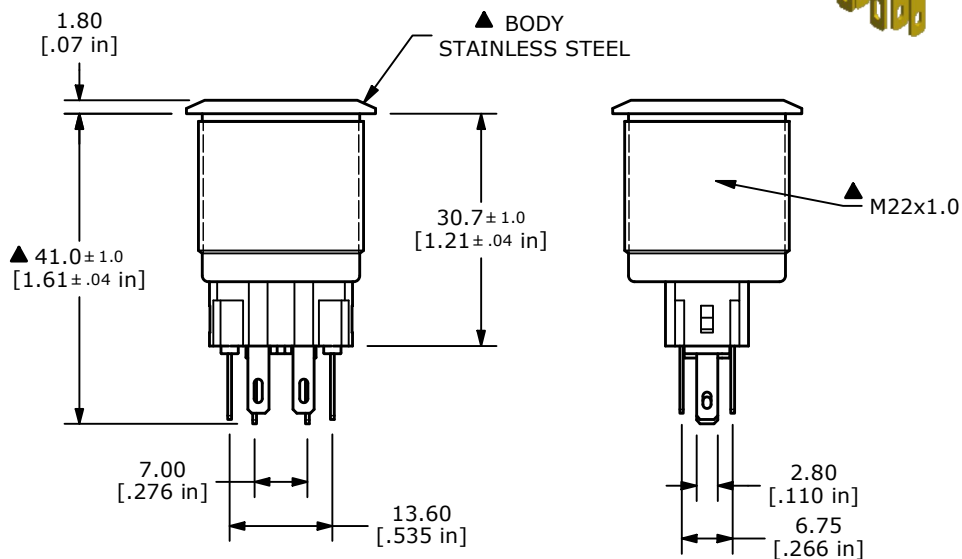
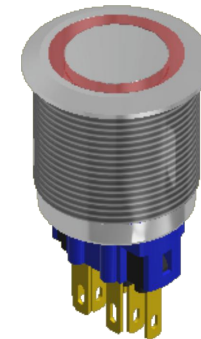
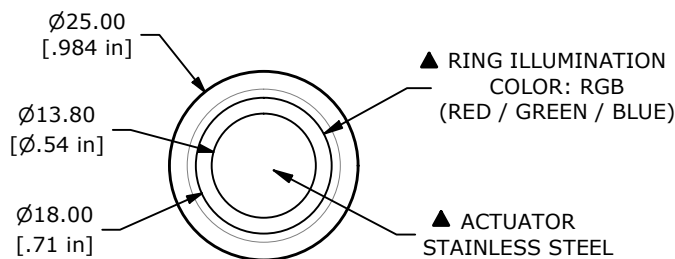
SWITCH FUNCTION	
POS. 1	POS. 2
1-2 ON 3-4 OFF	1-2 OFF 3-4 ON



▲ SPDT ON-OFF / OFF-ON
CONTACT CONFIGURATION

NOTE:

1. ALL DIMENSIONS IN MM [INCH]
2. GENERAL TOLERANCE: X.X = ± 0.4
X.XX = ± 0.25
3. TERMINAL NOS. FOR REF. ONLY
4. RATING: 2A @ 48VDC
5. CONTACT RESISTANCE: 50mΩ MAX. @ 1A 12VDC
6. INSULATION RESISTANCE: 1,000MΩ @ 500VDC
7. DIELECTRIC STRENGTH: 2,000VAC MIN. FOR 1 MINUTE
8. ELECTRICAL LIFE: 50,000 CYCLES
9. OPERATING TEMPERATURE: -35°C to 85°C
10. ACTUATION FORCE: 4N
11. INGRESS PROTECTION: IP65
12. ▲ DENOTES CRITICAL PARAMETER
- ▲ 13. HARDWARE INCLUDED (NOT SHOWN) HEX NUT AND O-RING
- ▲ 14. ILLUMINATION VOLTAGE: 24V



REV	ECO NO	DESCRIPTION	DATE	BY
B	ECO-103839	print update	01/07/26	MW



OBJECT ID
000002978

TITLE PV7F2T0SS-3R5				
SCALE 1:1	DATE 5/5/2017	DR MJR	DWG 52-PV7F2T0SS3R5	REV B